



Rooftop Building Services Support Systems

www.bigfootsupport.com





Contents

| | | |
|---|----------------------------|-------|
|  | Who we are | 04-05 |
| | What we do | 06-07 |
| | Product Selector | 08-09 |
|  | H Frame Sets | 10-11 |
| | Multi Foot | 12-13 |
| | Fix-it Foot | 14 |
| | Fix-it Foot Mini Split Kit | 15 |
| | Ancillaries | 16-17 |
|  | Standard Frames | 18 |
| | Standard Frame Variants | 19 |
| | LD Custom Frames | 20-21 |
|  | HD Beams | 22-23 |
| | HD Cubes | 24-25 |
| | HD Custom Frames | 26-27 |
|  | Solar PV Fix-it Packs | 28-29 |
| | Solar Custom Frames | 30-31 |
|  | Rapid Walkway | 32 |
| | Plant Deck | 33 |
| | Safe Access | 34-35 |
|  | Custom Designs | 36-37 |
| | Big Foot around the world | 38-39 |

For all the very latest news and more detailed information visit our website today...

www.bigfootsupport.com





Simply a better way



At Big Foot Systems we pride ourselves on our quality products, professional technical support, extensive application understanding and experience.

Launched in 2001, we began by introducing a comprehensive range of eco-friendly non-penetrative, easy to use and cost-effective support products for rooftop ductwork, cable tray and pipework runs. Simple frameworks to support condensing units as an alternative to traditional timber, steel and concrete constructions quickly followed.

Following the successes and flexibility of our light duty support products we added steel frame systems for the support of larger, heavier rooftop building services equipment such as refrigeration equipment and air handlers.

Solar frameworks and access platforms for rooftop walkway and maintenance purposes were added as markets developed.

Our aim at Big Foot Systems continues to be to provide easy to assemble rooftop building services support systems. Our range of products provide quick, simple, safe and versatile solutions for the support of rooftop HVACR equipment, solar panels and access platforms. Big Foot Systems sets the standard on any installation, meeting the needs of architects, consultants, engineers and contractors. Big Foot products are packed for ease of handling and available internationally via a network of approved distributors.

Big Foot Systems – simply a better way.





Big Foot Systems Product Range

Non-penetrative rooftop building services support systems



Services Support

With the main plant positioned upon the roof, there is generally a need to install associated auxiliary services. Service containment such as duct, pipework and cable ladder/tray can be supported using a number of auxiliary support products from our Services Support range.

TYPICAL APPLICATIONS

- Pipework
- Duct Runs
- Cable Ladders
- Cable Trays
- Modular Cable Management Systems
- Supply & Extract Fans
- Attenuators
- Filters

FEATURES & BENEFITS

- Cost and time-effective installation
- Product construction minimises the risk of penetrating the roof top finish
- Improved system aesthetics
- Robust, high quality recycled materials

For ease of specification these products are detailed on the following building product libraries:



Light Duty Frames

The Big Foot Systems Light Duty Frame range offers both standard and custom frames for Air Conditioning and small Air Handling Units. Delivered packaged to site the frame components and leg assemblies can easily be handled. With an ever increasing number of HVACR manufacturers supplying products, our frames are dimensionally configurable at design stage, both in footprint and height.

TYPICAL APPLICATIONS

- AC (Splits & VRF/VRV)
- Air Handling Units
- Air Source Heat Pumps
- Compressors
- Supply & Extract Fans
- Attenuators
- Filters

FEATURES & BENEFITS

- Standard Frames supplied boxed
- Cost effective, prefabricated support system
- Versatile modular frameworks
- Quick to install, robust and secure



Heavy Duty Systems

The Big Foot Systems Heavy Duty range offers a robust cost-effective support alternative to on-site concrete constructions which aids load dispersal and are non-penetrative. With minimal on-site assembly and easy positioning, the HD Cube and HD Beam offer a standardised approach with Custom designs for larger plant and services.

TYPICAL APPLICATIONS

- Chillers
- Plant Rooms
- Air Handling Units
- Generators
- Packaged Plant
- Heavy Pipes & Steels
- Armoured Cabling

FEATURES & BENEFITS

- Optional fully-certified independent warranty
- In-house CAD Service
- Finite Element Analysis (FEA)
- Wind loading performance calculation service available
- Cost and time effective on-site installation
- Prefabricated for consistent and controlled installations
- Ensures greater project design flexibility



Solar Frames

Big Foot Systems Solar Frames are versatile, robust and quick to install. Available in various sizes, angles and heights, Solar Frame systems can be adapted to almost any installation and for as many panels as any scheme requires. A wind analysis and ballast assessment service is also available.

TYPICAL APPLICATIONS

- PV Panels
- Solar Thermal Panels

FEATURES & BENEFITS

- For the support of solar panels in a portrait or landscape arrangement
- Versatile, modular framework available in various sizes
- Computational Fluid Dynamics (CFD) wind analysis report and ballast recommendation service available
- Optional fully-certified independent warranty



Safe Access

The Safe Access range from Big Foot Systems provide low level standard modular walkways mounted on non-penetrative rubber feet, to custom fabrications requiring a more consultative approach necessitating detailed proposals and site surveys. Big Foot Systems detailed engineering drawings provide concise, economically engineered Safe Access solutions to fit within planned or existing rooftop services (complying with necessary safety standards).

TYPICAL APPLICATIONS

- Plant Maintenance
- Plant Inspection
- Roof Access
- Fire Escapes

FEATURES & BENEFITS

- Quick and simple, on-site assembly
- Flat packed for ease of transportation
- Health and safety regulation compliant
- Optional fully certified independent warranty
- Custom designs available

Big Foot Product Selector

Use the chart below to help find the perfect support for your application



| | | Services Support | | | | LD Frames | | HD Systems | | | Solar Frames | | Safe Access | | | | |
|------------|--------------------------------|------------------|-------------|-------------|-----------------|-----------------|------------------|-------------|-------------|------------------|-----------------|---------------------|---------------|------------------|--------------------|-----------|--------------------|
| | | H Frame Sets | Multi Foot | Fix-it Foot | Mini Split Kits | Standard Frames | LD Custom Frames | HD Beams | HD Cubes | HD Custom Frames | PV Fix-it Packs | Solar Custom Frames | Rapid Walkway | Plant Deck Frame | Step Over Platform | Step Over | Custom Safe Access |
| | | Pages 10-11 | Pages 12-13 | Page 14 | Page 15 | Pages 18-19 | Pages 20-21 | Pages 22-23 | Pages 24-25 | Pages 26-27 | Pages 28-29 | Pages 30-31 | Page 32 | Page 33 | Page 34 | Page 34 | Page 35 |
| Electrical | Cable Basket ≤ 150mm | | | ■ | | | | | | | | | | | | | |
| | Cable Tray ≤ 300mm | | ■ | ■ | | | | | | | | | | | | | |
| | Cable Trays 450 & 600mm wide | ■ | ■ | ■ | | | | | | | | | | | | | |
| | Cable Trays 750 & 900mm wide | ■ | | ■ | | | | | | | | | | | | | |
| | *Cable Ladder ≤ 450mm wide | ■ | | | | | | | | | | | | | | | |
| | *Cable Ladder ≥ 600mm wide | ■ | | | | | | | | | | | | | | | |
| | *Bus Bars | ■ | | | | | | | | | | | | | | | |
| Duct | Small Duct <300mm wide | ■ | ■ | | | | | | | | | | | | | | |
| | Larger Ducts | ■ | | | | | | | | | | | | | | | |
| | *Attenuators, (Silencers) | ■ | | | | | | | | | | | | | | | |
| Pipe | F&R Pipes > 40mm ≤ 65mm dia. | | ■ | ■ | | | | | | | | | | | | | |
| | F&R Pipes > 65mm ≤ 100mm dia. | ■ | ■ | | | | | | | | | | | | | | |
| | F&R Pipes > 100mm ≤ 150mm dia. | ■ | | | | | | ■ | | | | | | | | | |
| | High Level Support | | | | | | | | | ■ | | | | | | | |
| | *Multiple Pipe Runs | ■ | | | | | | ■ | ■ | ■ | | | | | | | |
| | Pipes greater than sizes shown | ■ | | | | | | | | ■ | | | | | | | |

| Air Conditioning | 1-2 No. A/C Split units <175kg each | | | | ■ | ■ | | | | | | | | | | | |
|-----------------------|-------------------------------------|--|--|--|---|---|---|---|---|---|---|---|--|---|---|---|---|
| | 3-4 No. A/C Split units <175kg each | | | | | ■ | | | | | | | | | | | |
| | 5-6 No. A/C Split units <175kg each | | | | | ■ | | | | | | | | | | | |
| | 1 No. VRV/VRF unit** | | | | | ■ | ■ | | | ■ | | | | | | | |
| | 2 No. VRV/VRF units** | | | | | ■ | ■ | | | ■ | | | | | | | |
| | 3 No. VRV/VRF units** | | | | | ■ | ■ | | | ■ | | | | | | | |
| | 4 or more A/C or VRV/VRF units | | | | | | ■ | | | | | ■ | | | | | |
| Heavy Services | Extract Fans | | | | | ■ | | | | ■ | | | | | | | |
| | Supply Fans | | | | | ■ | | | | ■ | | | | | | | |
| | Larger Condensers | | | | | ■ | ■ | | | ■ | | | | | | | |
| | Air Cooled Condensers | | | | | ■ | ■ | | | ■ | | | | | | | |
| | Air Handling Units | | | | | ■ | ■ | ■ | ■ | ■ | | | | | | | |
| | Chillers | | | | | | ■ | | ■ | ■ | | | | | | | |
| | Boiler Houses | | | | | | | | | ■ | | | | | | | |
| | Plant rooms | | | | | | | | | ■ | ■ | | | | | | |
| | Low Level Support | | | | | | | | | ■ | ■ | | | | | | |
| High Level Support | | | | | | | | | ■ | ■ | | | | | | | |
| Solar | Split level Roofs | | | | | | | | | | ■ | | | | | | |
| | Adjustable Legs | | | | | | | | | | ■ | | | | | | |
| | 3 Panels – 10, 20 & 30° | | | | | | | | | | ■ | | | | | | |
| | 4 Panels – 10, 20 & 30° | | | | | | | | | | ■ | | | | | | |
| | 5 Panels – 10, 20 & 30° | | | | | | | | | | ■ | | | | | | |
| Access Requirements | Clearance height <155mm | | | | | | | | | | | | | ■ | | | |
| | Clearance height >155 ≤ 1000mm | | | | | | | | | | | | | | ■ | | |
| | Clearance height > 1000mm | | | | | | | | | | | | | | | ■ | |
| | Landings 600mm Wide | | | | | | | | | | | | | ■ | | | ■ |
| | Landings 1000mm Wide | | | | | | | | | | | | | | ■ | | ■ |
| | Low Level Access/Fire Escapes | | | | | | | | | | | ■ | | | | | |
| | Larger landings/Additional Steps | | | | | | | | | | | | | | | | ■ |
| | Cat Ladders | | | | | | | | | | | | | | | | |
| Companion Way Ladders | | | | | | | | | | | | | | | | | ■ |

* Weight dependant
 **Based on typical carcase size of 990mm x 760mm



Non-penetrative supports for pipework, duct and cable ladder/tray

The H Frame Set is a quick, versatile and economical solution for supporting pipework, duct, cable ladders/trays or any combination of these. You provide your own strut, keeping the duct and pipe installations low-cost and totally flexible by fabricating the framework on-site.

The majority of installations require 305mm H Frames but where a greater load distribution is required 450mm and 600mm H Frames are also available.

H Frame Set 305mm

- Versatile application
- Quick & easy installation
- Excellent load distribution
- Compatible with industry standard componentry
- Interchangeable with 3 strut sizes – one foot fits all
- Supplied with adhered rubber mats for optimum roof protection
- Boxed for convenience



KIT INCLUDES

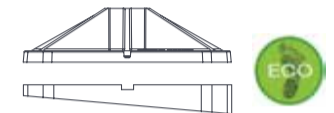
| | |
|-----------------------|-----|
| Feet with adhered mat | x 2 |
| Brackets and fixings | x 4 |
| Assembly instructions | x 1 |

FOOT FLEECEES

Recommended for use on PVC membrane roof surfaces to prevent polymer migration

305 ANGLED MATS

2.5° and 5° rubber mats are also available for sloped roof applications

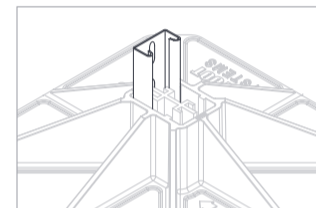


PLEASE NOTE: Strut NOT included

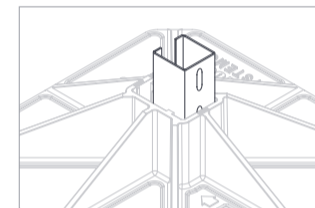
PRODUCT INFORMATION

| Model | 305mm | 305mm 5 Pack |
|----------------------|-------|--------------|
| Part no. | B6088 | B9645 |
| Foot Size (mm) | 305 | 305 |
| Rec. frame load (kg) | 300 | 300 |
| Packaged weight (kg) | 6.75 | 34 |

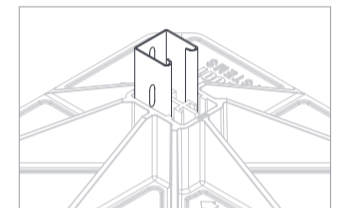
INTERCHANGEABLE STRUT



21 x 41 x 1.5 mm Strut



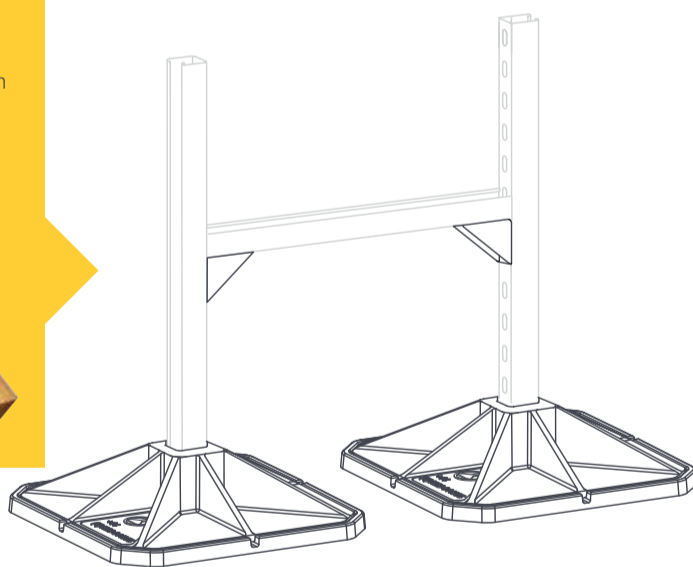
40 x 38 x 1.9 mm Euro Strut



41 x 41 x 1.5 mm Strut

H Frame Set 450mm & 600mm

- Versatile application
- Quick & easy installation
- Excellent load distribution
- Compatible with industry standard componentry
- Supplied with removable rubber mats for optimum roof protection
- Boxed for convenience



KIT INCLUDES

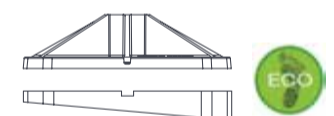
| | |
|-----------------------|-----|
| Plastic feet | x 2 |
| Rubber mats | x 2 |
| Insert | x 2 |
| Brackets and fixings | x 2 |
| Assembly instructions | x 1 |

FOOT FLEECEES

Recommended for use on PVC membrane roof surfaces to prevent polymer migration

450 ANGLED MATS

2.5° and 5° rubber mats are also available for sloped roof applications

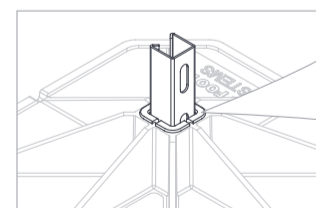


PLEASE NOTE: Strut NOT included

PRODUCT INFORMATION

| Model | 450mm | 600mm |
|----------------------|-------|-------|
| Part no. | B6089 | B9222 |
| Foot Size (mm) | 450 | 600 |
| Rec. frame load (kg) | 500 | 500 |
| Packaged weight (kg) | 13.35 | 23.10 |

STRUT INSERT



41 x 41 x 1.5 mm Strut

For ease of specification these products are detailed on the following building product libraries:



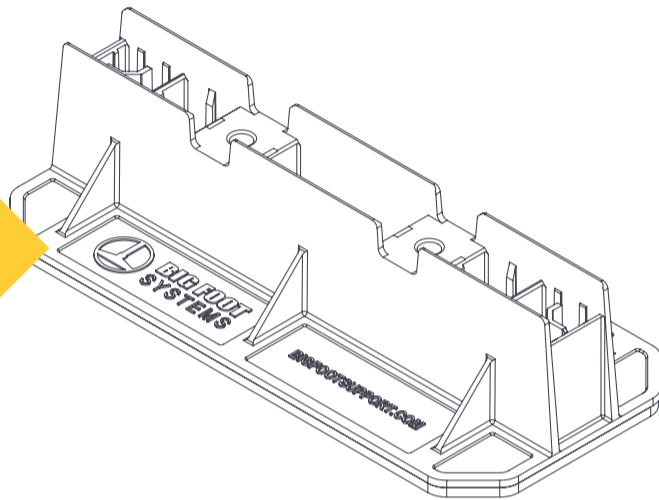
Non-penetrative supports for pipework, duct and cable tray

The Multi Foot is designed to be a multipurpose support for duct, pipework and cable trays or any combination of these.

This extremely versatile and cost-effective one-piece support is available in two sizes with the new integrated mat configuration.

40mm Multi Foot Packs

- Versatile application
- Quick & easy installation
- Supplied with adhered rubber mats for optimum roof protection
- Boxed for convenience
- Accepts a full range of strut sizes
- Rigid nylon foot

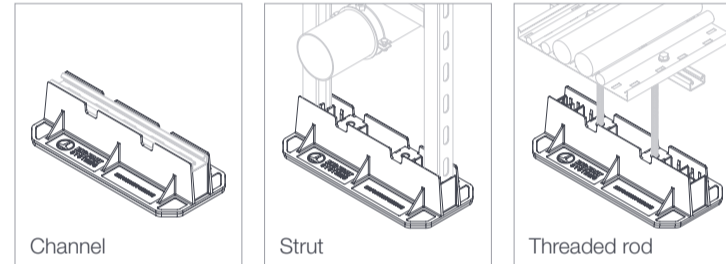


PRODUCT INFORMATION

| | |
|-------------------------|--|
| Model | 400mm 4 Pack |
| Part no. | B9640  |
| Height (mm) | 80 |
| Width (mm) | 180 |
| Length (mm) | 400 |
| Max. load per foot (kg) | 259 |
| Packaged weight (kg) | 6.8 |

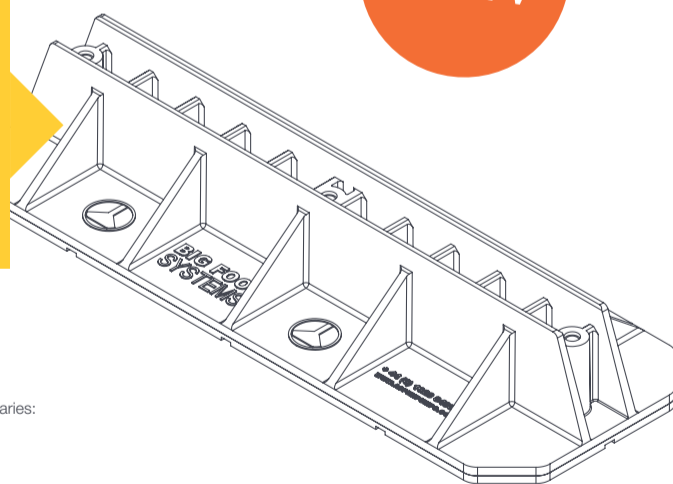
PLEASE NOTE: Multi Foot is supplied WITHOUT any fixings or fittings

MULTI FOOT APPLICATIONS



600mm Multi Foot Packs

- Versatile application
- Quick & easy installation
- Supplied with adhered rubber mats for optimum roof protection
- Boxed for convenience
- Accepts a full range of strut sizes
- Rigid nylon foot

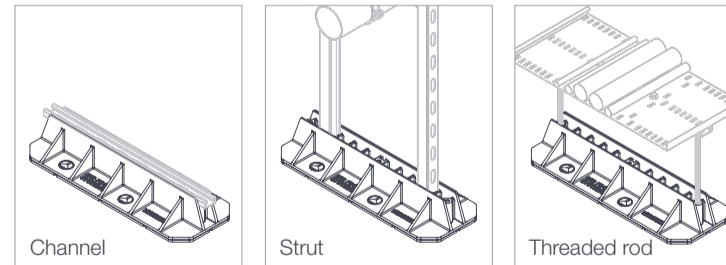


PRODUCT INFORMATION

| | |
|-------------------------|--|
| Model | 600 mm 3 Pack |
| Part no. | B9655  |
| Height (mm) | 80 |
| Width (mm) | 220 |
| Length (mm) | 600 |
| Max. load per foot (kg) | 474 |
| Packaged weight (kg) | 7.5 |

PLEASE NOTE: Multi Foot is supplied WITHOUT any fixings or fittings

MULTI FOOT 600 APPLICATIONS



For ease of specification these products are detailed on the following building product libraries:



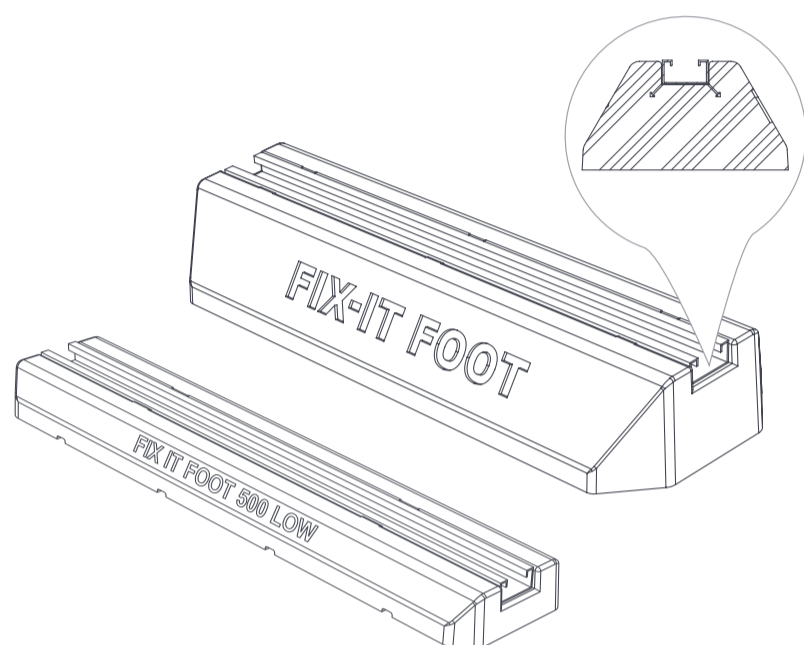


Non-penetrative supports for pipework, duct and cable tray

The seven sizes of Fix-it Foot are a neat and tidy roof top support solution from Big Foot. The feet have 40mm x 20mm aluminium channel recessed into the top face to allow for easy fixing of services. Suitable for pipework, duct and cable tray runs.

The Fix-it Foot is made of durable, recycled rubber, which offers built-in anti-vibration and makes it both economical and environmentally responsible.

Fix-it Foot



PRODUCT INFORMATION

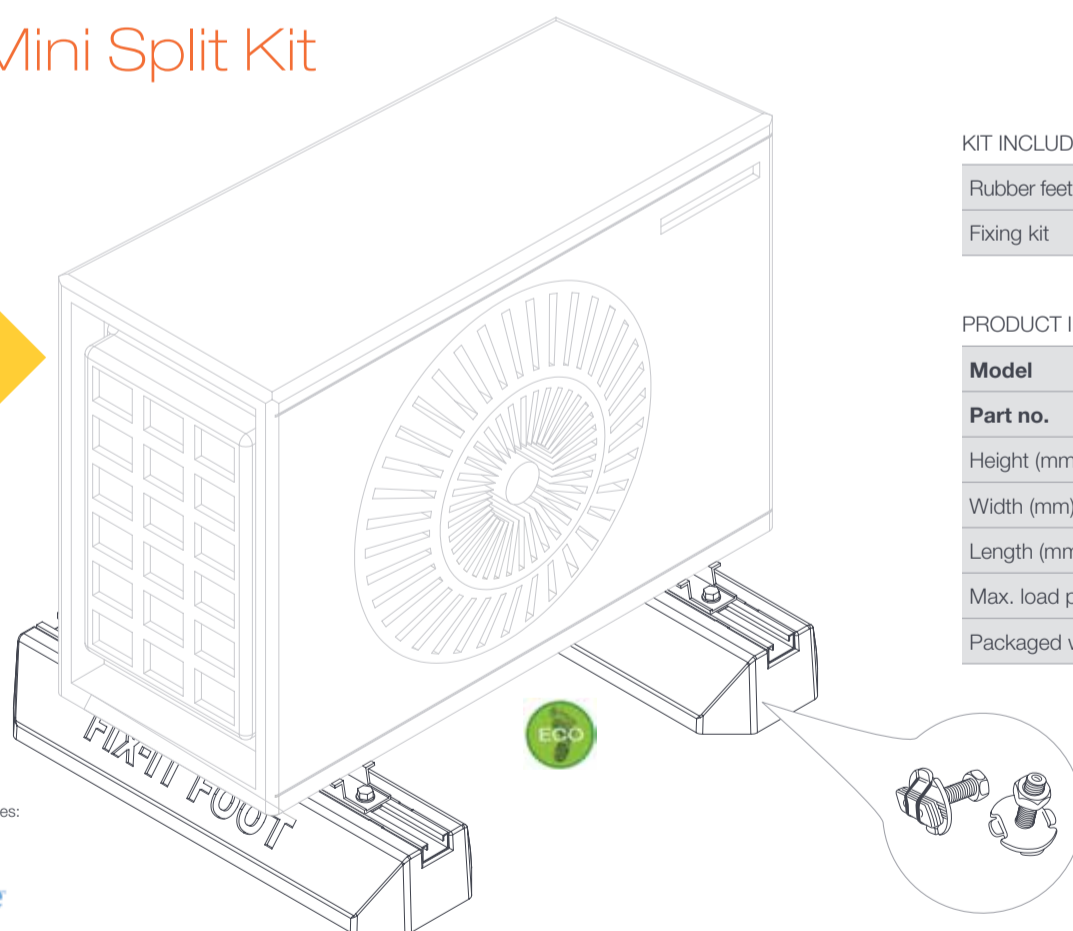
| Model | 250 | 400 | 600 | 1000 |
|-------------------------|-------|-------|-------|-------|
| Part no. | B6735 | B6736 | B6737 | B9096 |
| Height (mm) | 95 | 95 | 95 | 95 |
| Width (mm) | 180 | 180 | 180 | 180 |
| Length (mm) | 250 | 400 | 600 | 1000 |
| Max. load per foot (kg) | 82 | 128 | 224 | 295 |
| Packaged weight (kg) | 2.3 | 3.4 | 5.5 | 9.5 |

| Model | 250 Low | 400 Low | 500 Low | FOOT FLEECES |
|-------------------------|---------|---------|---------|--|
| Part no. | B9043 | B9045 | B9368 | Recommended for use on PVC membrane roof surfaces to prevent polymer migration |
| Height (mm) | 50 | 50 | 50 | |
| Width (mm) | 130 | 130 | 130 | |
| Length (mm) | 250 | 400 | 500 | |
| Max. load per foot (kg) | 82 | 128 | 134 | |
| Packaged weight (kg) | 1.2 | 2 | 4.6 | |

PLEASE NOTE: Fix-it Foot is supplied WITHOUT any fixings or fittings

Fix-it Foot Mini Split Kit

- Boxed kit with fixings
- UV stabilised, durable recycled rubber
- Built-in anti-vibration
- Corrosion resistant aluminium channel



KIT INCLUDES

| | |
|-------------|-----|
| Rubber feet | x 2 |
| Fixing kit | x 2 |

FOOT FLEECES

Recommended for use on PVC membrane roof surfaces to prevent polymer migration

PRODUCT INFORMATION

| Model | 600mm | 1000mm |
|------------------------|-------|--------|
| Part no. | B9284 | B9530 |
| Height (mm) | 95 | 95 |
| Width (mm) | 180 | 180 |
| Length (mm) | 600 | 1000 |
| Max. load per kit (kg) | 448 | 590 |
| Packaged weight (kg) | 11 | 19 |

For ease of specification these products are detailed on the following building product libraries:



Mounting Platforms



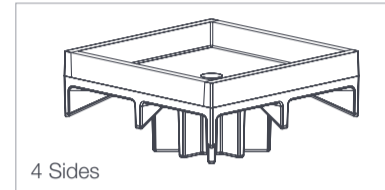
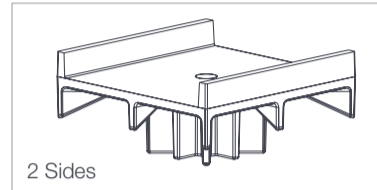
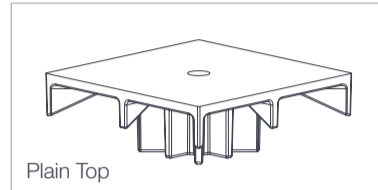
Simply fitted into the top of the Big Foot mouldings, these Platforms provide a versatile support system. Available with a plain top or with 2 or 4 sides, they have a central M10 threaded insert and are available with 305mm or 450mm feet.

KIT INCLUDES

| | |
|--------------|-----|
| Platform | x 2 |
| Plastic foot | x 2 |
| Rubber mat | x 2 |

PRODUCT INFORMATION

| Model | 305mm Plain Top | 305mm 2 Sides | 305mm 4 Sides | 450mm Plain Top | 450mm 2 Sides | 450mm 4 Sides |
|-------------------|-----------------|---------------|---------------|-----------------|---------------|---------------|
| Part no. | B9098 | B9099 | B9100 | B9101 | B9102 | B9103 |
| Useable area (mm) | 126 x 126 | 114 x 126 | 114 x 114 | 126 x 126 | 114 x 126 | 114 x 114 |



Vibromats



Where elevated walkways are not required these compressed recycled rubber mats, in 3 size options, can be laid directly onto the roof top. This clearly denotes areas for personnel access and protects the membrane or roof material from potential damage from foot fall and ancillary equipment. The AV strip can be used as an additional isolating strip between the Big Foot Support Frame and the installed unit.

PRODUCT INFORMATION

| Model | Small Tile* | Large Tile* | Plain Tile | AV Strip |
|-------------|-------------|-------------|------------|----------|
| Part no. | B6491 | B6282 | B6416 | B6024 |
| Height (mm) | 30 | 30 | 45 | 15 |
| Width (mm) | 150 | 500 | 500 | 75 |
| Length (mm) | 600 | 1000 | 500 | 1000 |



* Includes 2 No. steel plate core at either end

AV Pads

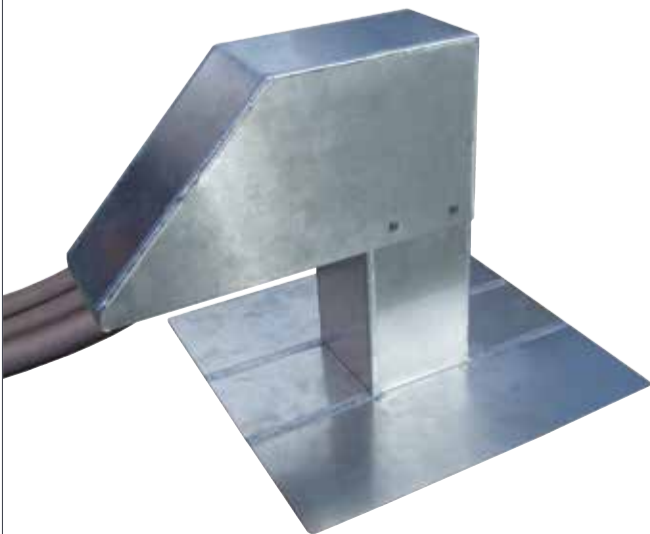


In a similar way to that of the AV Strip, the AV Pad affords a greater degree of isolation between unit and Big Foot support frame against vibration.

PRODUCT INFORMATION

| Model | 51mm | 76mm | 101mm | 152mm | 305mm | 457mm |
|-------------|-------|-------|-------|-------|-------|-------|
| Part no. | B6909 | B6910 | B6911 | B6912 | B6913 | B6914 |
| Height (mm) | 22.2 | 22.2 | 22.2 | 22.2 | 22.2 | 22.2 |
| Width (mm) | 51 | 76 | 101 | 152 | 305 | 457 |
| Length (mm) | 51 | 76 | 101 | 152 | 305 | 457 |

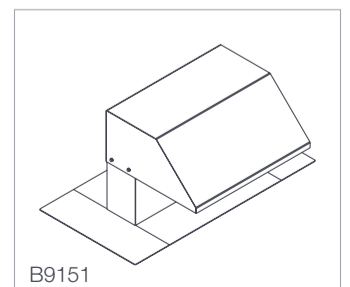
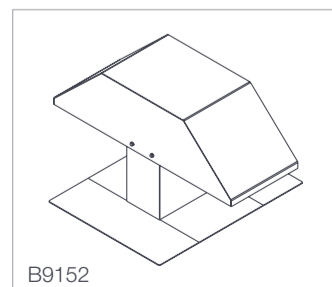
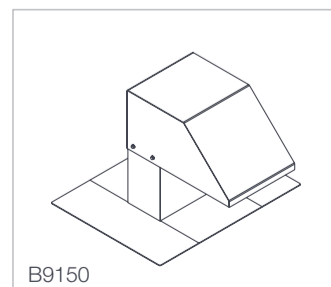
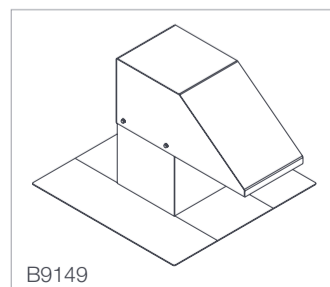
Swan Necks



High quality Swan Necks are ideal for one of the most sensitive areas of a flat roof... the point at which it is necessary to penetrate it with cable and pipe runs. A large flange around the foot of the Swan Neck allows a full seal with the roof membrane. The 2mm aluminium plate is lightweight and won't go rusty. A full hood protects against rain ingress, and rounded outlet protects pipes, insulation and cables.

PRODUCT INFORMATION

| Model | Square Small | Square Medium | Square Large | Oblong Small | Oblong Small | Oblong Large |
|------------------|--------------|---------------|--------------|--------------|--------------|--------------|
| Part no. | B9154 | B9148 | B9149 | B9150 | B9152 | B9151 |
| Outlet Size (mm) | 75 x 75 | 125 x 125 | 200 x 200 | 125 x 250 | 125 x 250 | 125 x 500 |
| No. of outlets | 1 | 1 | 1 | 1 | 2 | 1 |
| Height (mm) | 385 | 385 | 385 | 385 | 385 | 385 |



For ease of specification these products are detailed on the following building product libraries:



listed in **LUCKINSlive**



Non-penetrative support frames for air conditioning multi frames, mini-splits, VRFs and small AHUs

The LD standard product range consists of three standard modular frames, available in 1m, 2m and 3m arrangements. This ensures minimal cross-member deflection whilst maintaining structural stability; as opposed to weaker alternatives often constructed from poor quality pre galvanised strut. Our highly competent engineers and designers have developed the product range through our rigorous product development cycle, including validation through testing.

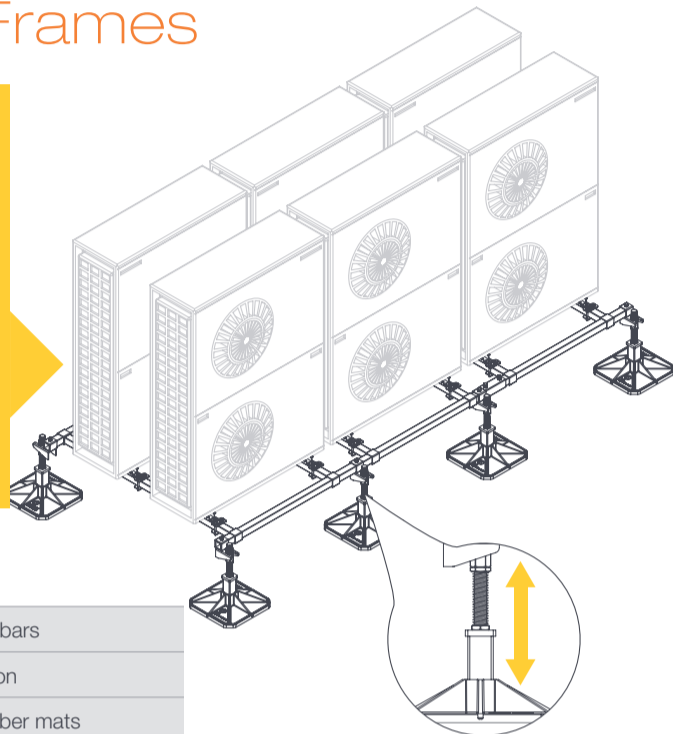
In order to facilitate the process of identifying the required frame for the specified air conditioning manufacturers Splits or VRF/VRV units (or indeed a combination of both) Big Foot Systems have created 'Frame Selectors'.

For further details contact the Big Foot Systems Technical Office on +44 (0)1323 844 355.

compatible with all leading VRV/VRF manufacturers products

Standard Frames

- Adjustable leg assemblies
- Feet supplied with rubber mats
- 40 x 40 box section frame
- Supplied boxed with clamp kits

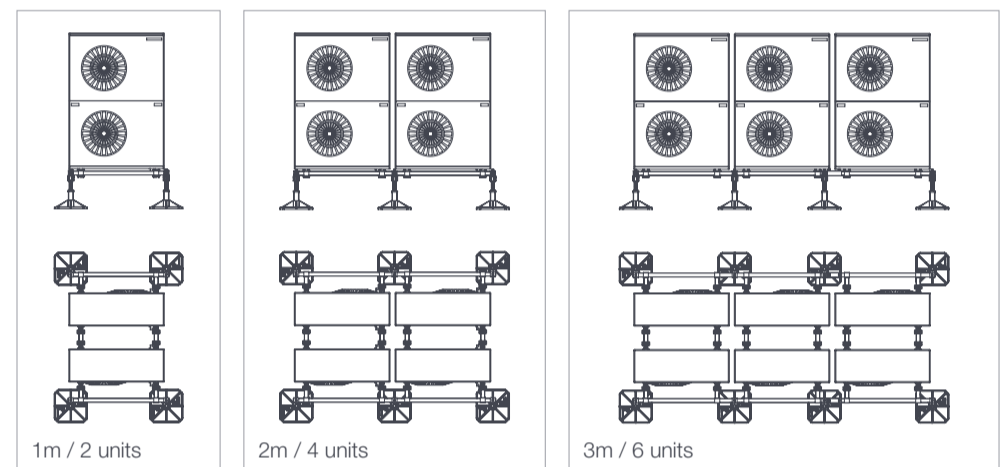


KIT INCLUDES

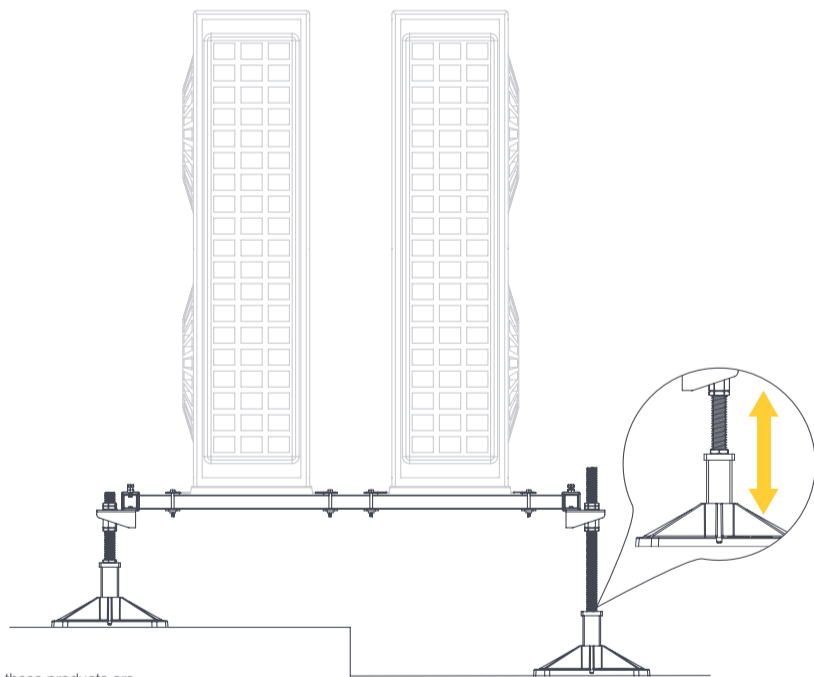
| |
|---------------------------------------|
| 40mm x 40mm box section end bars |
| 1.2m Cross bars – 40 x 40 section |
| 305mm Leg assemblies with rubber mats |
| Condenser Clamp kits |
| Assembly instructions |

PRODUCT INFORMATION

| Model | 1m Modular Frame | 2m Modular Frame | 3m Modular Frame |
|-------------------|------------------|------------------|------------------|
| Part no. | B6075 | B6077 | B6078 |
| Height (mm) | 290-400 | 290-400 | 290-400 |
| Width (mm) | 1200 | 1200 | 1200 |
| Length (mm) | 1000 | 2000 | 3000 |
| Weight (kg) | 40 | 69 | 93 |
| Max. loading (kg) | 480 | 720 | 960 |



Standard Frame Variants



For ease of specification these products are detailed on the following building product libraries:



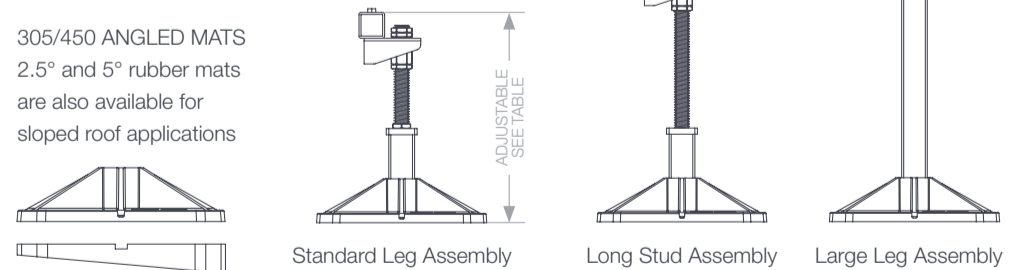
PRODUCT INFORMATION

| Model | 1m | 2m | 3m |
|-------------------|---------|---------|---------|
| Part no. | B9088 | B9089 | B9090 |
| Height (mm) | 290-610 | 290-610 | 290-610 |
| Width (mm) | 1200 | 1200 | 1200 |
| Length (mm) | 1000 | 2000 | 3000 |
| Weight (kg) | 40 | 69 | 93 |
| Max. loading (kg) | 480 | 720 | 960 |

LEG OPTIONS

| Model | Standard | Long Stud | Large |
|------------------|----------|-----------|-------|
| Box section (mm) | 40 | 40 | 40 |
| Min. height (mm) | 290 | 290 | 730 |
| Max. height (mm) | 400 | 610 | 825 |

305/450 ANGLED MATS
2.5° and 5° rubber mats are also available for sloped roof applications



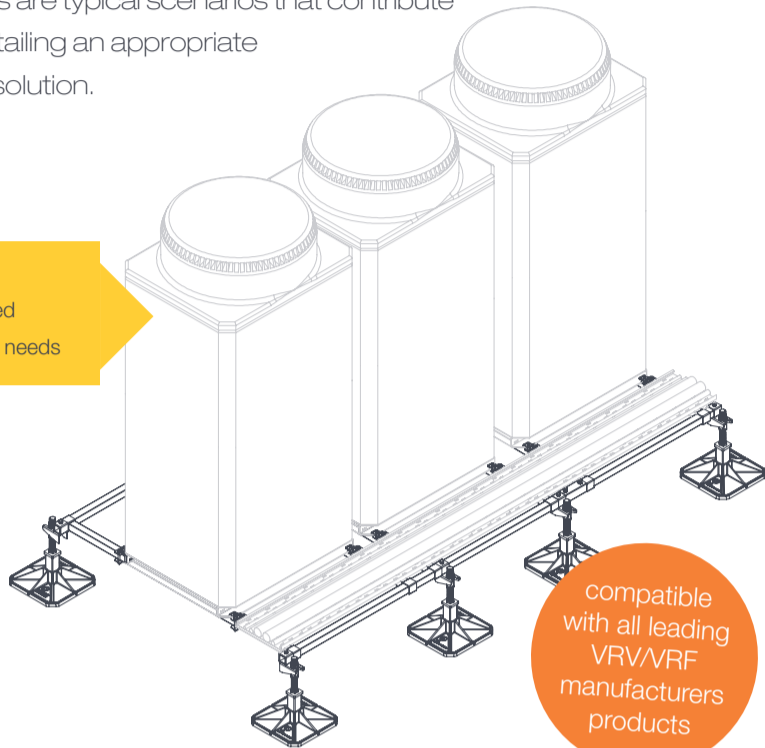


Project specific non-penetrative support frames for air conditioning and ventilation equipment

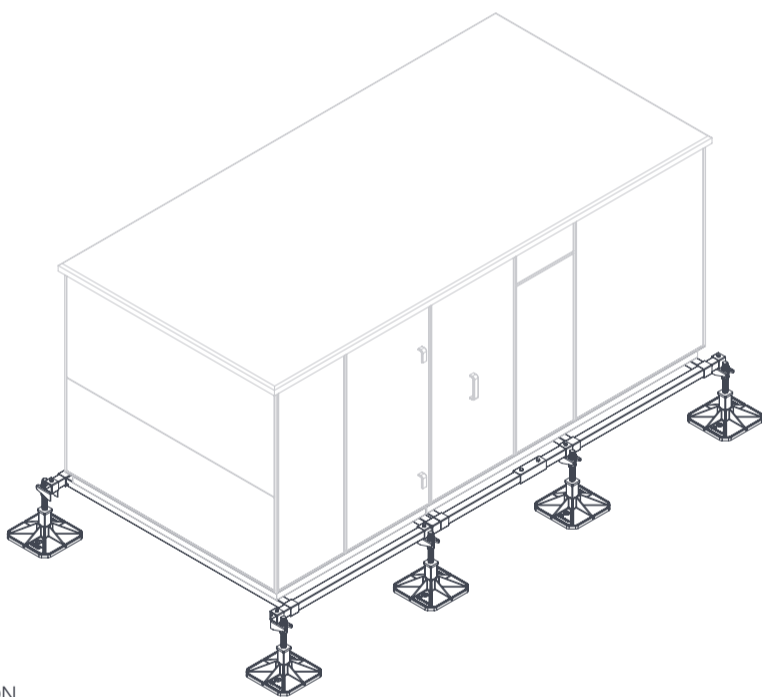
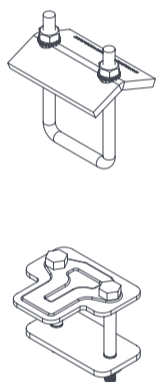
Big Foot Systems offer a custom design service, where our standard offer may not be suitable in meeting specific application requirements placed on today's roofs. Limiting factors such as weak roof construction, space constraints, existing upstands/services obstruction and stacked/sectioned unit arrangements are typical scenarios that contribute to the need of detailing an appropriate custom support solution.

With the aid of our highly skilled engineers utilising industry leading software, such as 3D CAD packages, ANSYS Finite Element Analysis (FEA) and Computational Fluid Dynamics (CFD) we are able to tackle the most challenging requirements. In addition to this our design team have developed an array of calculators to quickly analyse engineering considerations to provide on-demand analysis for wind loading performance, beam deflection, load distribution. This coupled with our extensive knowledge of waterproofing systems and roof build-up ensure we provide an economical, safe and well thought out design... every time!

- Optimised design
- Supplied flat packed
- Configured to your needs



compatible with all leading VRV/VRF manufacturers products



PRODUCT INFORMATION

| | |
|---------------------------|--|
| ANGLED RUBBER MATS | The solution to sloping roofs, 2.5° & 5° rubber mats are available |
| LEG HEIGHT ADJUSTMENT | 290-400mm: floor to top of framework (290-610mm: stepped roof option) |
| LINEAR ADJUSTMENT | The cross-bars which support the condenser units can slide along the plain bars into the positions required, then are locked securely in place |
| LD CONDENSER CLAMPS | The repositionable clamps are located on both sides of the cross-bars, locking down onto the feet of the condenser units as they are tightened |
| LEG & BRACKET POSITIONING | The leg and bracket are usually positioned outside the framework, but can be positioned inside if there is an obstruction or the load dictates |
| FOOT FLEECEES | Recommended for use on PVC membrane roof surfaces to prevent migration of plasticizers |

For ease of specification these products are detailed on the following building product libraries:



Our technical capability in line with the breadth of our product versatility enables Big Foot Systems to design a frame specific to your need... we are yet to encounter a scenario under which we haven't been able to design a frame.

Technical Report Submittals

There may be situations where a design feasibility study, and/or a detailed technical analysis demonstrating the validity of a proposal against design parameters may be required.

Typical examples involve wind loading performance, beam deflection and weight distribution etc. These are written by our highly qualified engineers and can be provided to aid and clarify technical understanding, depending on customer supplied information, project size and value.



Finite Element Analysis

FEA is a powerful tool that achieves numerical test data through means of running a computer simulation to enable close analysis of the effect of variable loading conditions on solid elements. With our qualified engineering experts, its application within Big Foot Systems design process is used to validate structural integrity against beam deflection. This enables optimisation of design and application. Written analysis can be provided through our Technical Report Submittal service dependent upon scheme size and complexity.

Computational Fluid Dynamics (CFD)

CFD is a powerful tool used by our engineering team to closely analyse and interpret fluid characteristics within a modelled computer simulation. Typical use for this tool within Big Foot Systems include analysis of Solar Panels, AHUs, Chillers, Packaged Plant and VRFs etc. against extreme imposing wind pressures. Measurements are taken for wind tipping, wind sliding and wind uplift limits, to validate design/ballast recommendations ensuring safety for application. Written analysis can be provided through our Technical Report Submittal service dependent upon scheme size and complexity.





Boxed non-penetrative support frames for chillers, AHUs, packaged plant, generators, pipes & steels

The HD Beam was developed as a lighter weight companion to the HD Cube and comprises 50mm x 50mm x 3mm square hollow sections to minimise beam deflection. Typical applications include large and heavy plant but is equally functional at supporting heavy pipes and services. HD Beam is a robust but flexible solution where space may be limited, or there is a requirement to position directly over existing structural roof beams. With M24 stud built into both legs, adjustability in height will maintain a level system on roof falls up to 5°, and additional adjustment is not usually needed. The vertical leg assemblies, coupled with the 450mm or 600mm feet and rubber mats, function in distributing the weight of the combined system.

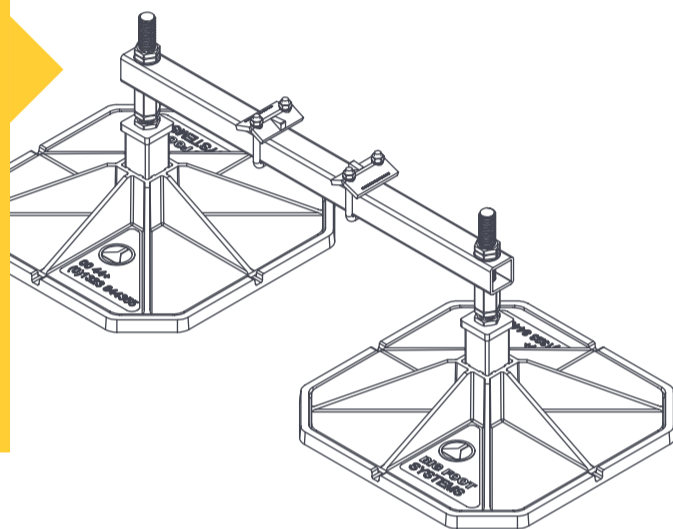
Unlike other proposals/solutions we ensure the weight is evenly distributed through a specified quantity of HD Beams.

As part of our service offer and to support a technical submission our quotations will always state the 'UDL' and/or 'Point Loads' (kN/m²) in line with the specified or assumed roof performance. An optional, 'quick fitting' Clamp Kit ensures a rigid fix back to the services, or secondary steelwork.

Our technical capability in line with breadth of range enable Big Foot to design a frame specific to your need... we are yet to encounter a scenario under which we haven't been able to provide a solution.

Adjustable HD Beam

- Adjustable height support
- Non-penetrative high load carrying capacity
- Elevates heavy services off the roof to facilitate long term roof maintenance
- Hot dip galvanised mild steel
- Flat packed and boxed for convenience



PRODUCT INFORMATION

| Model | 600HDB | 450HDB |
|------------------------|---------|---------|
| Part no. | B9373 | B9423 |
| Foot size (mm) | 600 | 450 |
| Height (mm) | 300-360 | 300-360 |
| Overall width (mm) | 642 | 486 |
| Overall length (mm) | 1502 | 1346 |
| Max. load per HDB (kg) | 1500 | 1000 |
| Packaged weight (kg) | 37 | 35 |

KIT INCLUDES

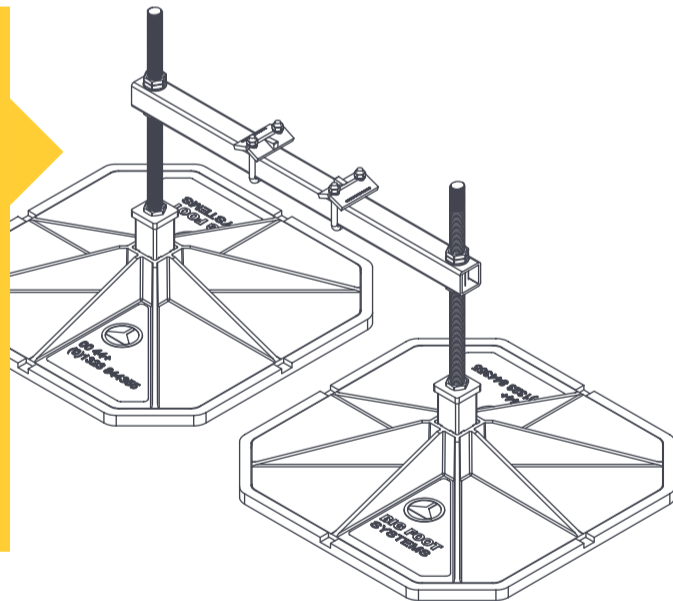
| | |
|-----------------------|-----|
| Leg assembly | x 2 |
| Rubber mats | x 2 |
| 800mm cross bar | x 1 |
| Beam clamps | x 2 |
| Assembly instructions | x 1 |

HEIGHT ADJUSTMENT

Height adjustment from 300mm to 360mm. Big Foot feet can interchange with our various leg assemblies to offer customers differing support heights and footprints to suit

Adjustable Large Stud HD Beam

- Adjustable clamp kit supplied
- Non-penetrative high load carrying capacity
- Elevates heavy services off the roof to facilitate long term roof maintenance
- Hot dip galvanised mild steel
- Flat packed and boxed for convenience



PRODUCT INFORMATION

| Model | 600 LS HDB | 450 LS HDB |
|------------------------|------------|------------|
| Part no. | B9692 | B9690 |
| Foot size (mm) | 600 | 450 |
| Height (mm) | 300-580 | 300-580 |
| Overall width (mm) | 642 | 486 |
| Overall length (mm) | 1502 | 1346 |
| Max. load per HDB (kg) | 1500 | 1000 |
| Packaged weight (kg) | 38 | 36 |

KIT INCLUDES

| | |
|-----------------------|-----|
| Plastic feet | x 2 |
| Rubber mats | x 2 |
| HD Beam metalwork | x 1 |
| Beam clamps | x 2 |
| Assembly instructions | x 1 |

For ease of specification these products are detailed on the following building product libraries:





Non-penetrative support products for chillers, AHUs, packaged plant & generators

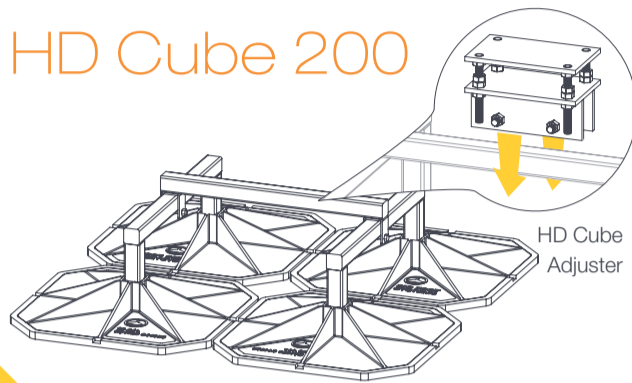
The HD Cube offers a complete, efficient and robust solution for supporting heavier services on flat roofs. It has been designed and manufactured using 50mm x 50mm x 3mm square hollow sections for heavy duty applications. This ensures minimal cross-member deflection whilst maintaining structural stability. Whilst minimising any deflection, the Cube still allows large loads of 2000kg and 3000kg each, in either 4 x 450mm or 4 x 600mm foot configurations respectively. Due to the close proximity of the feet, the enlarged square base naturally afford very good load distribution capabilities to spread

evenly on the roof. Ideal for the support of large and/or heavy plant – in fact anything which has an integrated skid or frame. The HD Cube provides a simplistic approach without the necessity of craning or casting, and then weatherproofing, traditional concrete plinths early on in the construction. Our technical capability in line with breadth of range and product versatility enable Big Foot Systems to design a frame specific to your need... we are yet to encounter a scenario under which we haven't been able to provide a solution.

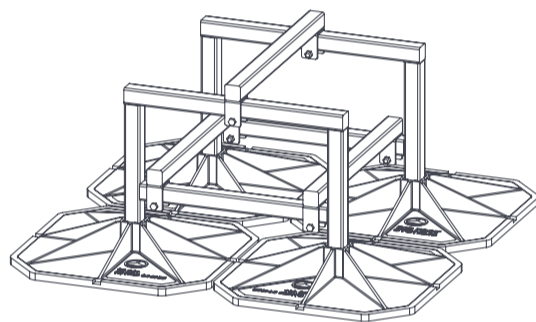
- Fast assembly
- Alternative to complex heavy frameworks
- High load capacity and excellent load distribution
- Flat packed and boxed for convenience



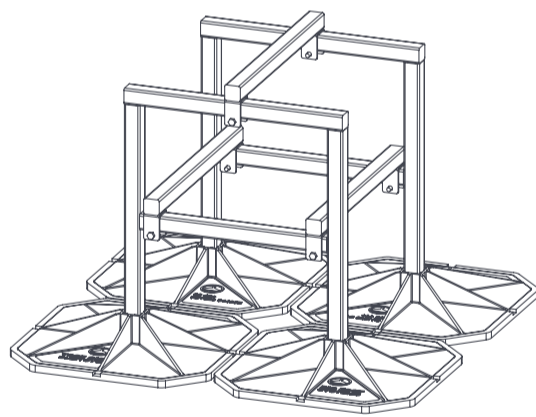
HD Cube 200



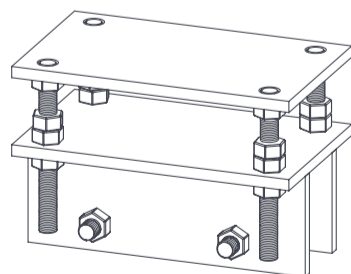
HD Cube 600



HD Cube 800



HD Cube Adjuster



For ease of specification these products are detailed on the following building product libraries:



PRODUCT INFORMATION

| Model | 200HDC | 200HDC |
|------------------------|-------------|-------------|
| Part no. | B9528 | B9529 |
| Foot size (mm) | 600 | 450 |
| Height (mm) | 332 | 332 |
| Footprint (mm) | 1292 x 1292 | 1132 x 1132 |
| Max. load per HDC (kg) | 3000 | 2000 |
| Packaged weight (kg) | 62 | 72 |

KIT INCLUDES

| | |
|-----------------------|-----|
| Plastic feet | x 4 |
| Rubber mats | x 4 |
| Cube flat pack side | x 2 |
| Cube cross bar | x 1 |
| Assembly instructions | x 1 |

PRODUCT INFORMATION

| Model | 600HDC | 600HDC |
|------------------------|-------------|-------------|
| Part no. | B9522 | B9521 |
| Foot size (mm) | 600 | 450 |
| Height (mm) | 587 | 587 |
| Footprint (mm) | 1292 x 1292 | 1132 x 1132 |
| Max. load per HDC (kg) | 3000 | 2000 |
| Packaged weight (kg) | 82 | 75 |

KIT INCLUDES

| | |
|-----------------------|-----|
| Plastic feet | x 4 |
| Rubber mats | x 4 |
| Cube flat pack side | x 2 |
| Cube cross bar | x 3 |
| Assembly instructions | x 1 |

PRODUCT INFORMATION

| Model | 800HDC | 800HDC |
|------------------------|-------------|-------------|
| Part no. | B9516 | B9517 |
| Foot size (mm) | 600 | 450 |
| Height (mm) | 880 | 880 |
| Footprint (mm) | 1292 x 1292 | 1132 x 1132 |
| Max. load per HDC (kg) | 3000 | 2000 |
| Packaged weight (kg) | 87 | 80 |

KIT INCLUDES

| | |
|-----------------------|-----|
| Plastic feet | x 4 |
| Rubber mats | x 4 |
| Cube flat pack side | x 2 |
| Cube cross bar | x 3 |
| Assembly instructions | x 1 |

PRODUCT INFORMATION

| Model | HDC Adjuster |
|-----------------------------|--------------|
| Part no. | B9374 |
| Length (mm) | 250 |
| Width (mm) | 150 |
| Max. adjustable height (mm) | 140 |
| Weight (kg) | 3 |

VERTICAL ADJUSTMENT

Optional levelling HD Cube Adjuster to accommodate roof falls and anti-vibration mounts, which allows for 80mm of height adjustment.

- 200HDC: min. 392mm up to a max. of 472mm
- 600HDC: min. 647mm up to a max. of 727mm
- 800HDC: min. 940mm up to a max. of 1020mm





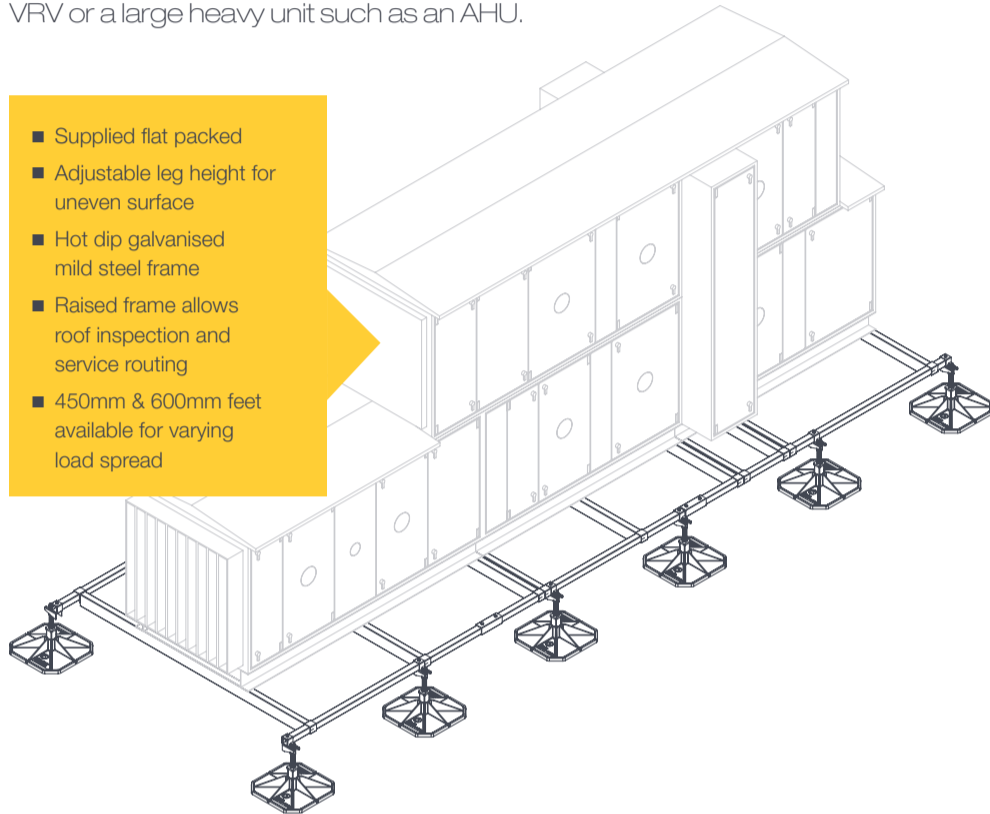
Project specific non-penetrative support frames for large, heavy, irregular shaped & unevenly loaded plant

There are many situations at roof level where our traditional offer may not be suitable in meeting unique heavy duty application requirements. Similarly, limiting factors such as weak roof construction, space constraints, existing upstands/services obstruction, stacked/sectioned unit arrangements and louvre screen supports are typical scenarios that contribute to the need of detailing an appropriate custom support solution. With the aid of our technical surveyors, highly skilled engineering team and use of engineering tools such as ANSYS (FEA/CFD) etc. Big Foot Systems can design and manufacture complete one-off solutions.

The necessary solution can vary from a frame similar in design and configuration to that of a standard LD product but utilising larger and longer sectional bars, typically 50mm x 50mm or 100mm x 50mm, supporting large arrays of VRF/VRV or a large heavy unit such as an AHU.

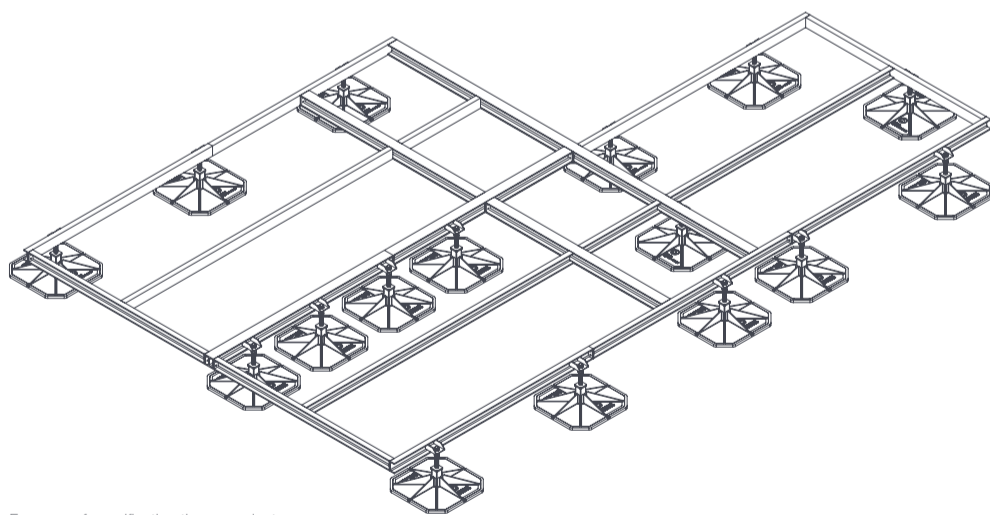
The solution can also extend to a custom arrangement of HD Cubes or HD Beams in either 450mm or 600mm foot sizes. These can be designed to support the unit, whilst also considering the imposed loads acting on the structure where it sits. Alternatively, for more complex applications, such as multiples of large and stacked unit layouts with an unusual footprint and uneven loading characteristics, a frame can be designed and fabricated specifically for the project requirements. In all cases, our Engineering Team carefully evaluates and designs each project on its own merit, in order to provide the optimum result.

- Supplied flat packed
- Adjustable leg height for uneven surface
- Hot dip galvanised mild steel frame
- Raised frame allows roof inspection and service routing
- 450mm & 600mm feet available for varying load spread



PRODUCT INFORMATION

| | |
|-----------------------|--|
| ANGLED RUBBER MATS | The solution to sloping roofs, 2.5° & 5° rubber mats are available |
| LEG HEIGHT ADJUSTMENT | Customisable adjustability from floor to top of framework (stepped roof option) |
| FEEET FLEECEES | Recommended for use on PVC membrane roof surfaces to prevent migration of plasticizers |



For ease of specification these products are detailed on the following building product libraries:



Our technical capability in line with the breadth of our product versatility enable Big Foot Systems to design a frame specific to your need... we are yet to encounter a scenario under which we haven't been able to design a frame.

Technical Report Submittals

There may be situations where a design feasibility study, and/or a detailed technical analysis demonstrating the validation of a proposal against design parameters may be required.

Typical examples involve wind loading performance, beam deflection and weight distribution etc. This is written by our highly qualified engineers and can be provided to aid and clarify technical understanding, depending on customer supplied information, project size and value.



Finite Element Analysis

FEA is a powerful tool that achieves numerical test data through means of running a computer simulation to enable close analysis of variable loading conditions on solid elements. With our qualified engineering experts, its application within Big Foot Systems design process is used to validate structural integrity against beam deflection. This enables optimisation of design and application. Written analysis can be provided through our Technical Report Submittal service dependent upon scheme size and complexity.

Computational Fluid Dynamics (CFD)

CFD is a powerful tool used by our engineering team to closely analyse and interpret fluid characteristics within a modelled computer simulation. Typical use for this tool within Big Foot Systems include analysis of Solar Panels, AHUs, Chillers, Packaged Plant and VRFs etc. against extreme imposing wind pressures. Measurements are taken for wind tipping, wind sliding and wind uplift limits, to validate design/ ballast recommendations ensuring safety for application. Written analysis can be provided through our Technical Report Submittal service dependent upon scheme size and complexity.



Non-penetrative support frames for photovoltaic panels

Big Foot Solar PV Fix-it Packs provide a quick to install solution using 600mm x 600mm x 50mm, 40kg paving slabs as ballast (not included). Utilising Big Foot Systems Fix-it Foot feet, this modular system is very versatile.

Solar PV Fix-it Frame is available in various sizes, angles and heights and is ideally suited to flat roof applications. Packs come complete with easy fit panel clips.

Standard 10°, 20° and 30° panel systems are available from stock.

The metalwork is galvanised to ensure maximum corrosion resistance.

Solar PV Fix-it 3 Panel Packs

- Suits most solar PV panels
- Non-penetrative UV stabilised recycled Fix-it Foot
- Galvanised framework
- Industry compatible standard componentry
- Flat packed and boxed for convenience

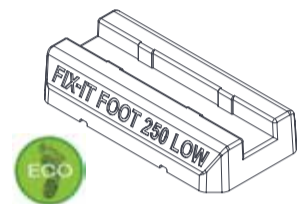


KIT INCLUDES




| |
|-------------------------------|
| Fix-it Foot feet |
| Hot dip galvanised base frame |
| A-frames and fixings |
| Solar panel clips |
| Assembly instructions |

FIX-IT FOOT

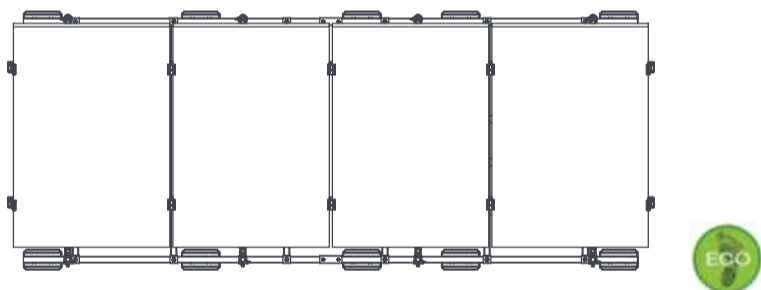
Big Foot Solar PV Fix-it Pack systems use UV stable Fix-it Foot feet as a neat and tidy support solution. Made from durable, recycled rubber with a channel moulded into the top face, allowing fixing of 40mm x 40mm box section or strut






PRODUCT INFORMATION

| Model | 3 panel pack | | |
|---------------------|--|--|--|
| | 10° | 20° | 30° |
| Part no. | SB9446  | SB9447  | SB9448  |
| Height (mm) | 448 | 740 | 1070 |
| Length (mm) | 3170 | 3170 | 3170 |
| Width (mm) | 1682 | 1682 | 1682 |
| Product weight (kg) | 90 | 90 | 90 |

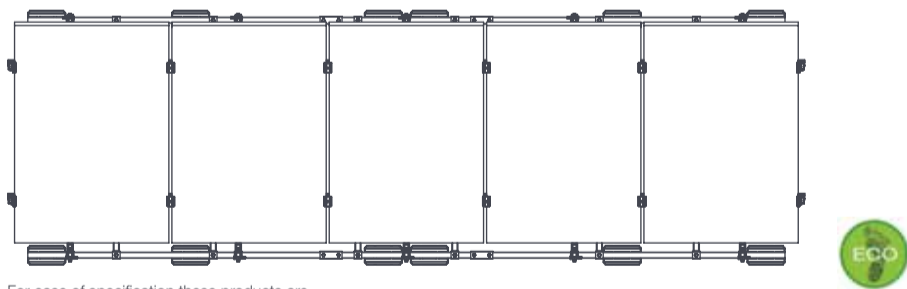
Solar PV Fix-it 4 Panel Packs






PRODUCT INFORMATION

| Model | 4 panel pack | | |
|---------------------|--|--|--|
| | 10° | 20° | 30° |
| Part no. | SB9449  | SB9450  | SB9451  |
| Height (mm) | 448 | 740 | 1070 |
| Length (mm) | 4200 | 4200 | 4200 |
| Width (mm) | 1682 | 1682 | 1682 |
| Product weight (kg) | 120 | 120 | 120 |

Solar PV Fix-it 5 Panel Packs



PRODUCT INFORMATION

| Model | 5 panel pack | | |
|---------------------|--|--|--|
| | 10° | 20° | 30° |
| Part no. | SB9452  | SB9453  | SB9445  |
| Height (mm) | 448 | 740 | 1070 |
| Length (mm) | 5260 | 5260 | 5260 |
| Width (mm) | 1682 | 1682 | 1682 |
| Product weight (kg) | 150 | 150 | 150 |

For ease of specification these products are detailed on the following building product libraries:



Project specific non-penetrative frames for solar panels

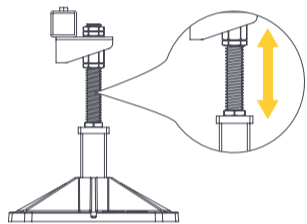
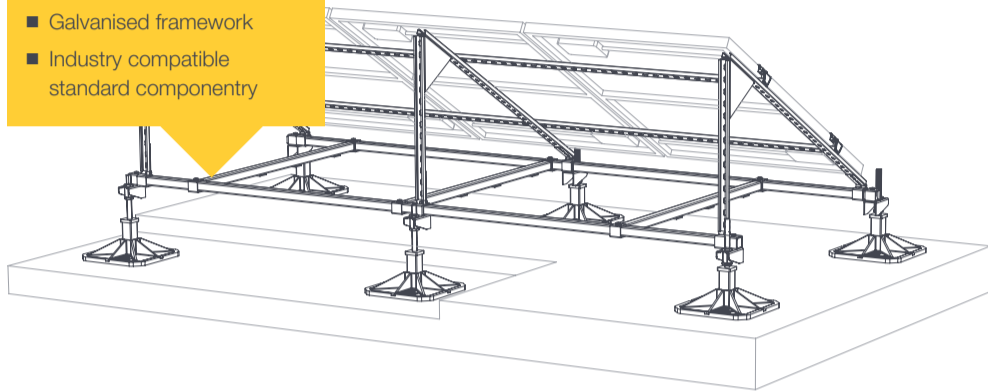
Big Foot Solar Custom Frames provides a specifically designed yet quick to install solution using 600mm x 600mm x 50mm, 40kg paving slabs as ballast (not included). Utilising either the Big Foot adjustable leg assemblies, to accommodate roof lights and/or fall, or the Fix-it Foot feet, both system options are very versatile with their application and installation options.

Available in various sizes, angles and heights, the slab frameworks can be adapted to suit almost any installation for as many panels as is required.

Standard 10°, 20° and 30° panel systems are available from stock, with custom layouts to order. The metalwork is galvanised to ensure maximum corrosion resistance.

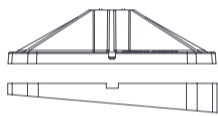
Solar Leg Frame

- Angled brackets available in 10°, 20° & 30° angles
- Fully adjustable legs with rubber mats
- Galvanised framework
- Industry compatible standard componentry



Standard Leg Assembly

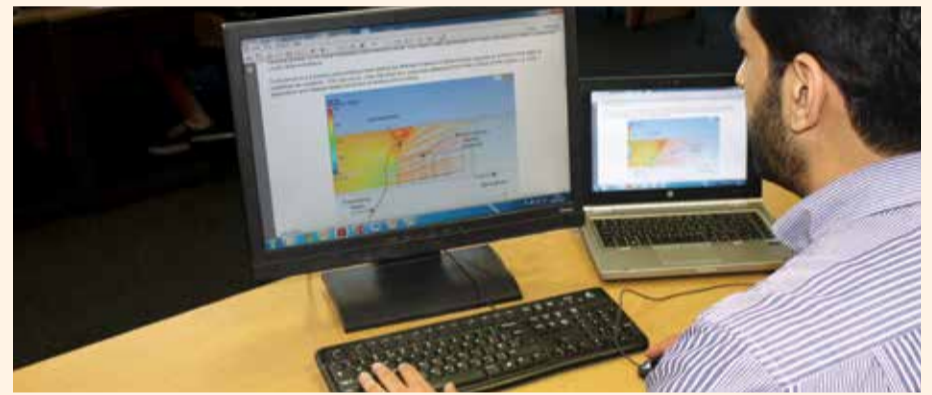
350/450 ANGLED MATS
2.5° and 5° rubber mats are also available for sloped roof applications



Our technical capability in line with the breadth of our product versatility enable Big Foot Systems to design a frame specific to your need... we are yet to encounter a scenario under which we haven't been able to design a system.

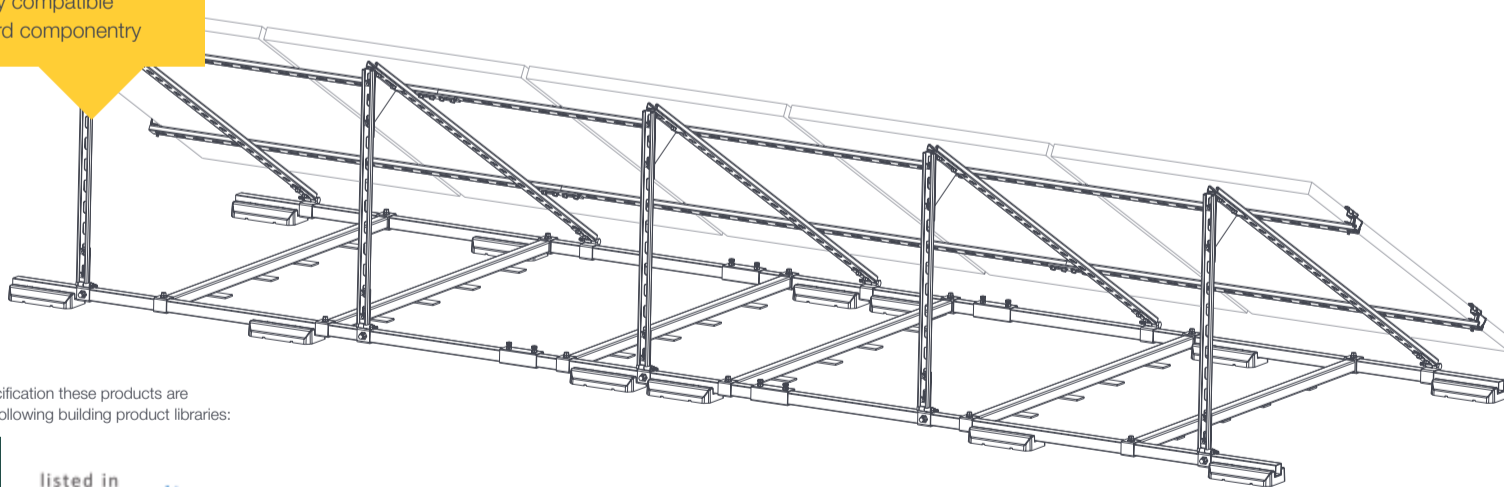
Wind Analysis Report

Through our Technical Submission service, our qualified engineers can provide specific detailed studies on analysing imposing wind pressure to ascertain optimum ballast recommendations. This is achieved by our engineering experts with the ability to solve and interpret complex fluid flow problems in combination with industry leading ANSYS Computational Fluid Dynamics (CFD) software. Big Foot Systems design recommendations and analysis is based on customer-supplied information and available to customers dependent upon scheme size.



Solar Fix-it Frame

- Angled brackets available in 10°, 20° & 30° angles
- Non-penetrative UV stabilised Fix-it Foot
- Galvanised framework
- Rubber feet provide soft contact with roof
- Industry compatible standard componentry

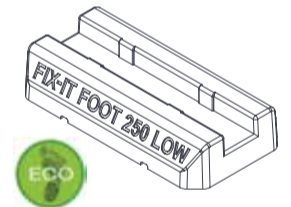


For ease of specification these products are detailed on the following building product libraries:



FIX-IT FOOT

Big Foot Solar Fix-it Frame systems use UV stable Fix-it Foot feet as a neat and tidy support solution. Made from durable, recycled rubber with a channel moulded into the top face, allowing fixing of 40mm x 40mm box section or strut.





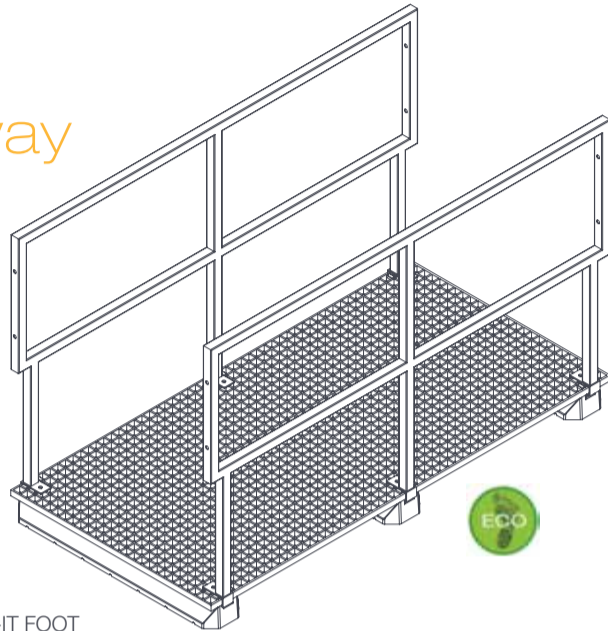
Non-penetrative and modular access products

The Big Foot Safe Access range is designed to allow a secure route for service engineers and other trades to gain access to plant and for managing the flow of other personnel. The metalwork is galvanised to ensure maximum corrosion resistance. Both systems are supplied from stock and are quick and easy to install on site.

Big Foot Rapid Walkway is ideal for establishing clear, safe non-penetrative pathways around installations on a flat roof. The gritted GRP top to the walkway grating provides a permanent non-slip surface in any weather and is supported on Fix-it Foot feet.

Rapid Walkway

- Fast install
- Various length rails available from stock
- Non-penetrative recycled Fix-it Foot
- Non-slip GRP walkway
- Flat packed for ease of handling



KIT INCLUDES

| |
|-----------------------|
| Fix-it Foot 1000 feet |
| Grating |
| Assembly instructions |

FIX-IT FOOT

The Rapid Walkway systems use the UV stable Fix-it Foot as a neat and tidy support solution, made from durable recycled rubber

PLEASE NOTE: Quantities and sizes within the kit vary depending on the size of walkway required

PRODUCT INFORMATION

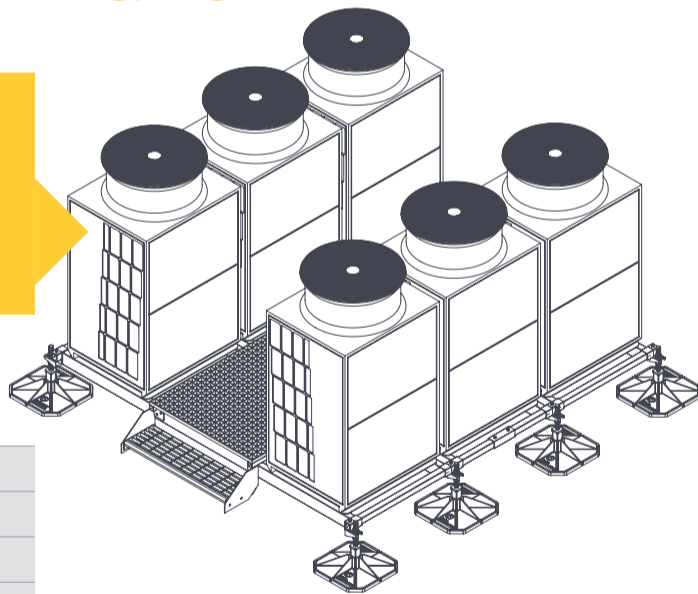
| Model | 1m | 2m | 3m |
|---------------------|--------------|--------------|--------------|
| Part no. | B9105 | B9106 | B9107 |
| Overall length (mm) | 1000 | 2000 | 3000 |
| Overall width (mm) | 1000 | 1000 | 1000 |
| Height (mm) | 120 | 120 | 120 |
| Weight (kg) | 32 | 54 | 76 |

ACCESSORY INFORMATION

| Model | 1m Handrail (each) | 2m Handrail (each) | 3m Handrail (each) | Corner Handrail |
|---------------------|--------------------|--------------------|--------------------|-----------------|
| Part no. | B9111 | B9112 | B9113 | B9142 |
| Overall length (mm) | 1000 | 2000 | 3000 | 1000 |
| Overall width (mm) | - | - | - | 1000 |
| Height (mm) | 1120 | 1120 | 1120 | 1120 |
| Weight (kg) | 12 | 20 | 29 | 24 |

Plant Deck Frame

- Fast install
- 3 standard sizes in stock
- Custom design to suit all applications
- Non-slip GRP walkway



KITS INCLUDE

| |
|---------------------------|
| Adjustable Leg Assemblies |
| End & Cross Bars |
| GRP Grid |
| Clamp Kits |

Big Foot Plant Deck Frames have been designed in line with customer demand to facilitate multiple VRF/VRV installations with access requirements/restrictions. The systems also benefit from a wide base making them stable in high wind locations, often a design consideration with very tall units.

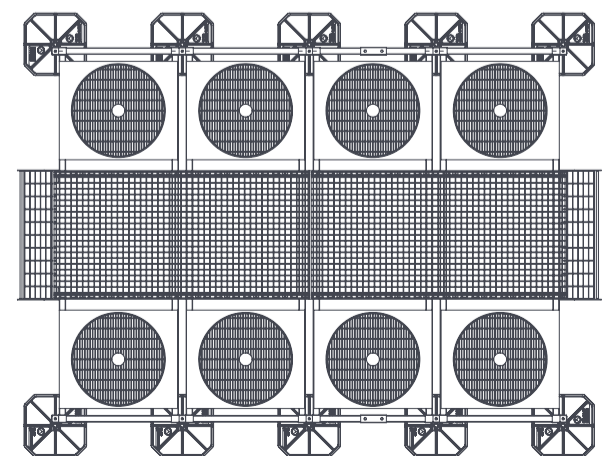
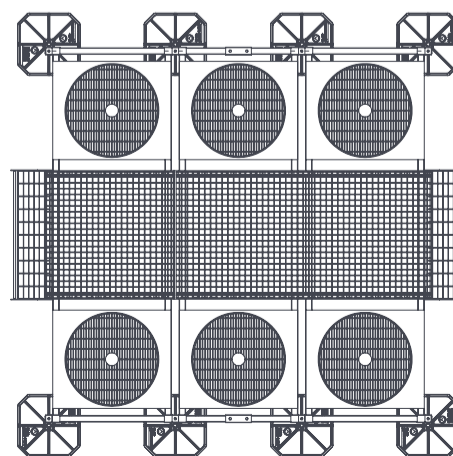
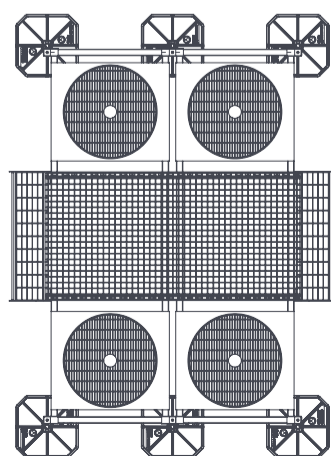
PRODUCT INFORMATION

| Model | 4 unit | 6 unit | 8 unit |
|----------------|--------------|--------------|--------------|
| Part no. | B4040 | B4060 | B4080 |
| Foot size (mm) | 450 | 450 | 450 |
| Height (mm) | 360-465 | 360-465 | 360-465 |
| Width (mm) | 3400 | 3400 | 3400 |
| Length (mm) | 2400 | 3400 | 4400 |

For ease of specification these products are detailed on the following building product libraries:



listed in **LUCKINSlive**





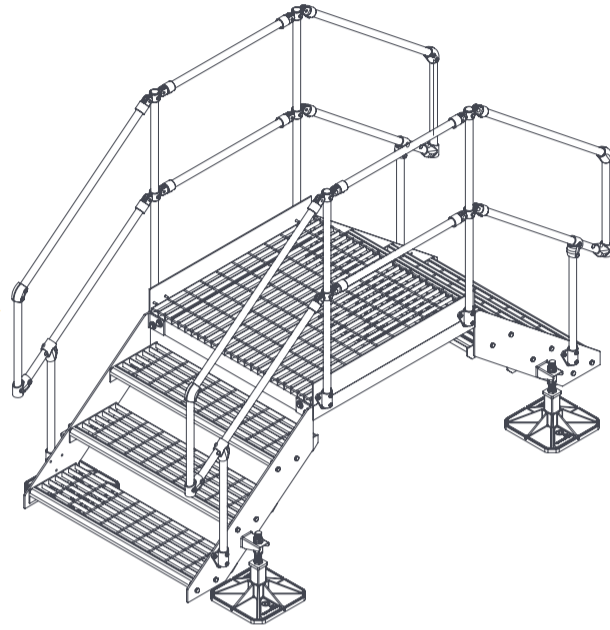
Project specific non-penetrative and modular access products

The Big Foot Safe Access range is designed to allow a secure route for service engineers and other trades to gain access to plant and for managing the flow of other personnel. The metalwork is galvanised to ensure maximum corrosion resistance. Both systems are supplied from stock and are quick and easy to install on site.

Big Foot Step Overs available with 2, 3 and 4 steps and a 1m landing section. The four legs on each Step Over are supplied with 305mm feet and rubber mats for stability. For safe passage over small hazards our Big Foot Step Over Platform is available.

Step Over

- Flat packed for ease of handling
- 3 different step options
- 1m landing
- Adjustable leg height
- Standard sizes stocked



KIT INCLUDES

| | | | |
|----------------------------------|---------|-----------------------------------|-----|
| 305mm leg assembly & rubber mats | x 4 | Landing grating | x 1 |
| Step handrail | x 4 | Landing kickplates | x 2 |
| Step stringers | x 4 | Landing handrails | x 2 |
| Step grating | x 2/3/4 | Fixings and assembly instructions | x 1 |

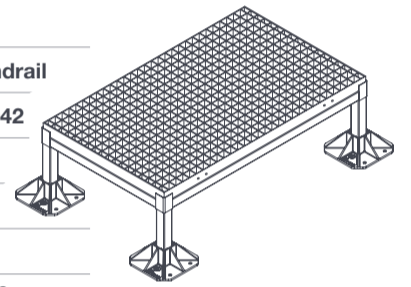
PRODUCT INFORMATION

| Model | 2 Step unit | 3 Step unit | 4 Step unit |
|-----------------------|--------------|--------------|--------------|
| Part no. | B6939 | B6940 | B6941 |
| Foot size (mm) | 305 | 305 | 305 |
| Clearance height (mm) | 560 | 780 | 1000 |
| Width (mm) | 1492 | 1492 | 1492 |
| Length (mm) | 1713 | 2213 | 2713 |

Step Over Platform

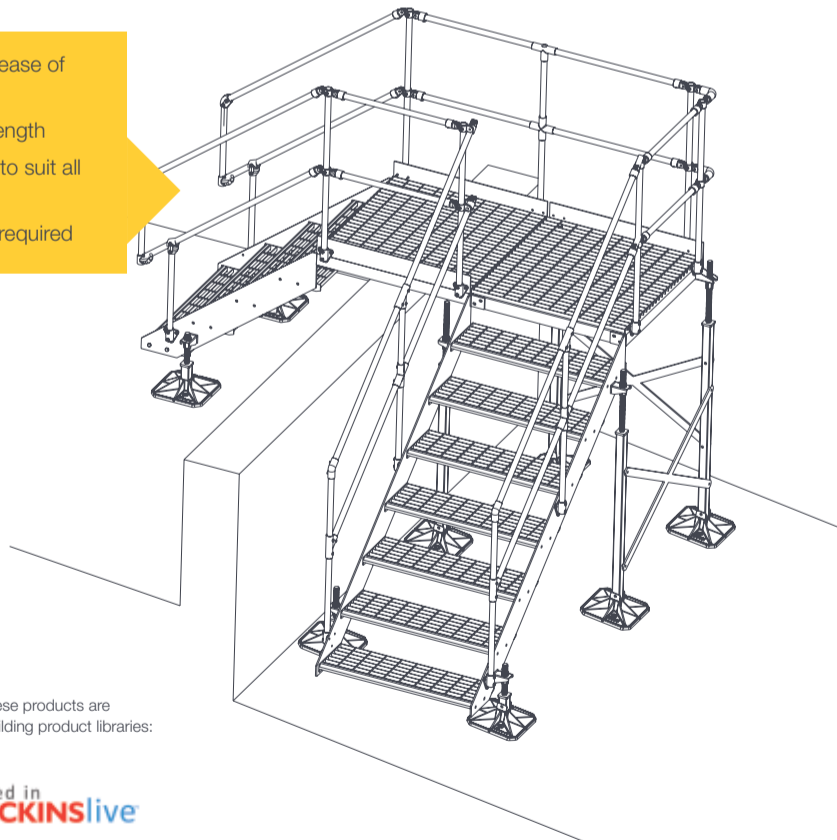
PRODUCT INFORMATION

| Model | 600 | 1000 | Handrail |
|-----------------------|--------------|--------------|--------------|
| Part no. | B9200 | B9201 | B6942 |
| Foot size (mm) | 200 | 200 | - |
| Clearance height (mm) | 155 | 155 | - |
| Width (mm) | 600 | 1000 | - |
| Length (mm) | 1000 | 1000 | 1000 |



Custom Access

- Flat packed for ease of handling
- Adjustable leg length
- Custom design to suit all applications
- Site surveys as required



For ease of specification these products are detailed on the following building product libraries:



Custom Safe Access

Big Foot Systems offer a comprehensive range of Safe Access solutions, which are ideal for a wide range of commercial and industrial applications. Offering secure and easy access to roof-top services, Big Foot's Safe Access systems provide standard site-assembled, safe access walkways, platforms and step overs. In addition, Big Foot will survey and design custom Safe Access systems tailored specifically to meet individual design parameters.



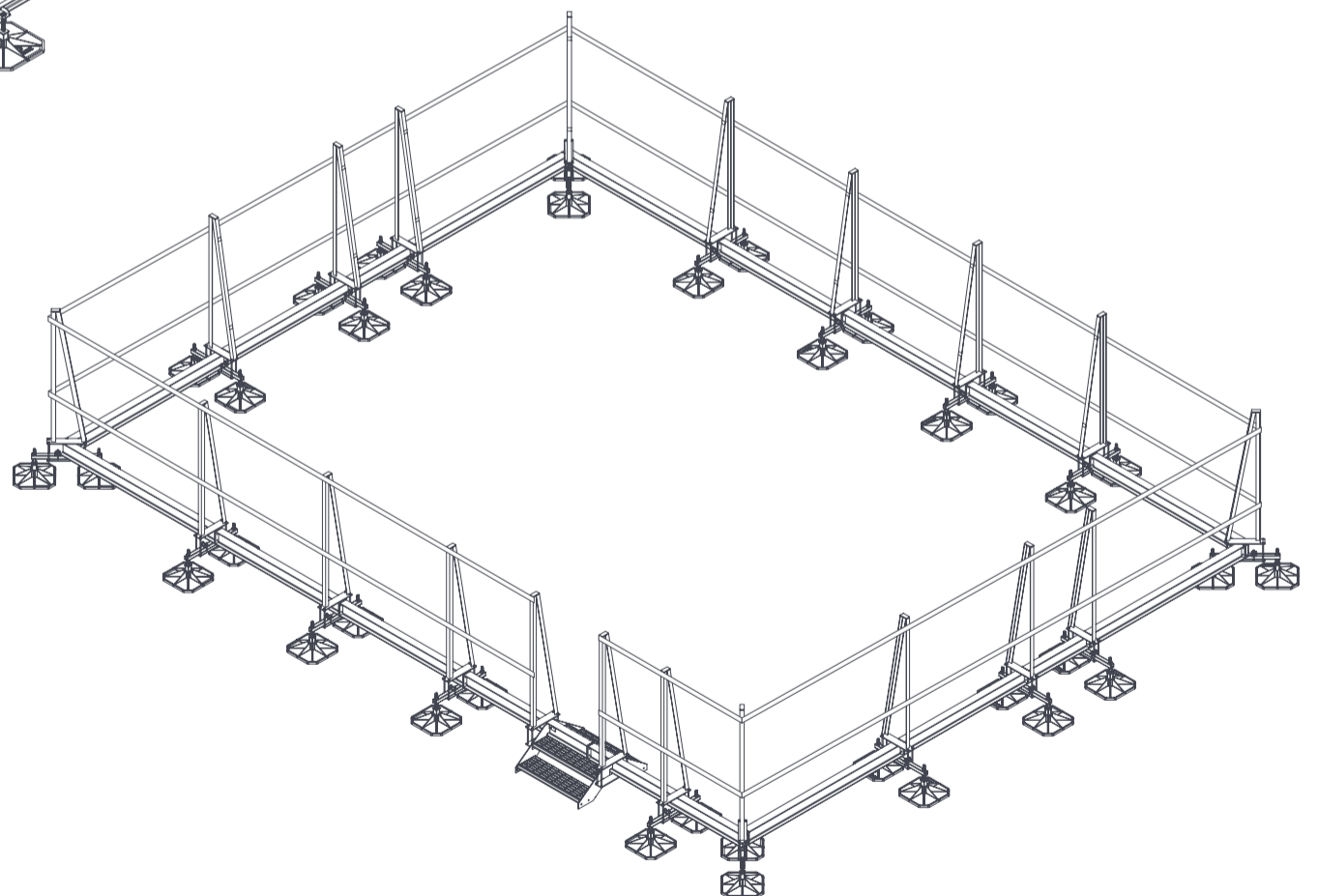
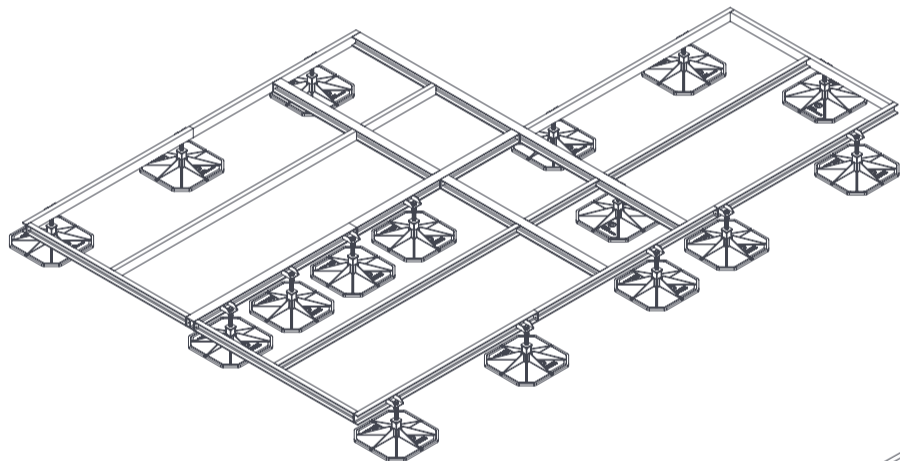
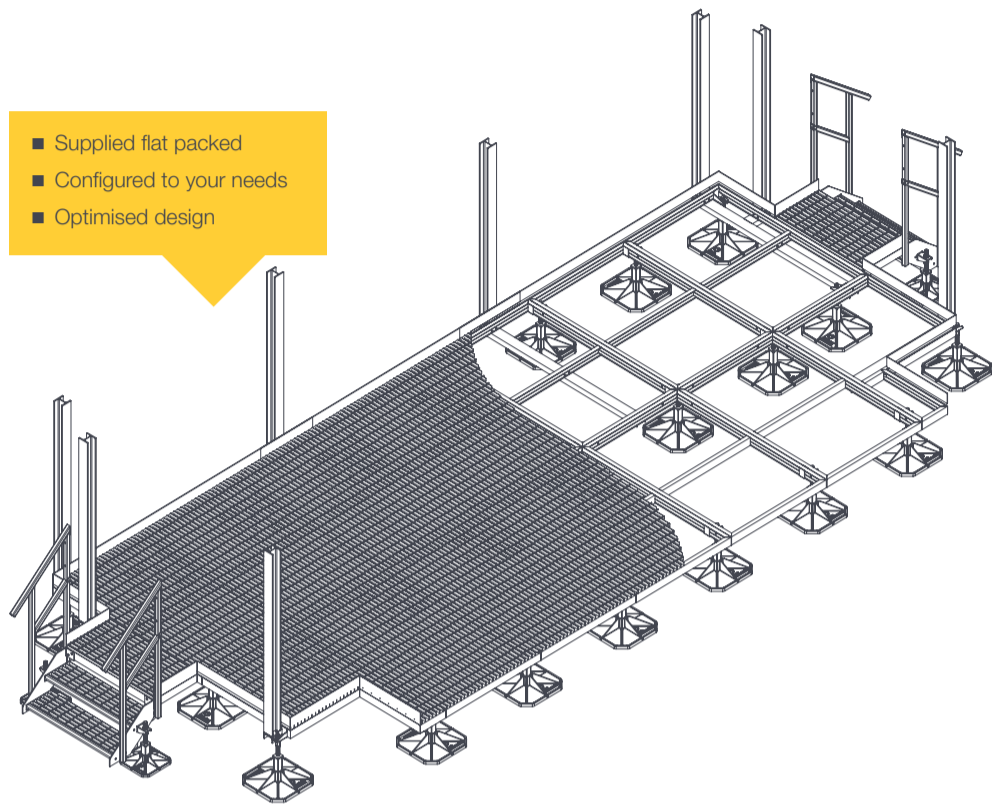


Project specific non-penetrative and modular products

Big Foot Systems offer a custom design service, where our standard offer may not be suitable in meeting unique application requirements posed on today's roofs. Limiting factors such as weak roof construction, space constraints, existing upstands/services obstruction and stacked/sectioned unit arrangements are typical scenarios that contribute to the need of detailing an appropriate custom support solution.

Our highly-skilled designers utilise industry-leading software, including 3D CAD, ANSYS Finite Element Analysis (FEA) and Computational Fluid Dynamics (CFD) packages. Our scheme designs come with the assurance of complete design integrity and optimisation. In addition to this our design team have developed an array of calculators to quickly analyse engineering considerations. This, coupled with our extensive knowledge of waterproofing systems and roof build-up, ensures we provide an economical, safe and well thought through design... every time!

- Supplied flat packed
- Configured to your needs
- Optimised design



Our technical capability in line with the breadth of our product versatility enable Big Foot Systems to design a frame specific to your need.

Customs Solutions

Big Foot Systems offer a comprehensive range of custom designs, which are ideal for a wide range of commercial and industrial applications, from education to food & beverage. The custom products series completes Big Foot's product portfolio of freestanding systems to support plant equipment, installed services and personnel movement on flat roofs. Big Foot's products provide simple, safe and secure non-penetrative, prefabricated support systems negating a need for time consuming and costly penetrations through the roof.



PRODUCT INFORMATION

| | |
|-----------------------|--|
| ANGLED RUBBER MATS | The solution to sloping roofs, 2.5° & 5° rubber mats are available |
| LEG HEIGHT ADJUSTMENT | Customisable adjustability from floor to top of framework (stepped roof option) |
| FEET FLEECEES | Recommended for use on PVC membrane roof surfaces to prevent migration of plasticizers |

For ease of specification these products are detailed on the following building product libraries:



listed in LUCKINSLIVE

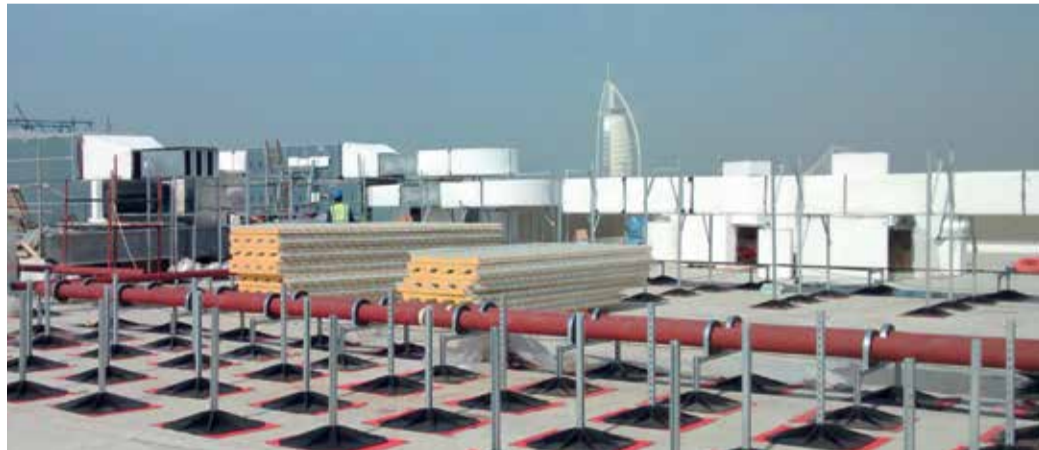




On a building near you...



...Big Foot Worldwide



www.bigfootsupport.com

+44 (0)1323 844 355

sales@bigfootsupport.com

technical@bigfootsupport.com

[@bigfootsystems](https://twitter.com/bigfootsystems)

Simply a better way



RIBA encourages excellence in design, good practise and architectural education and campaigns on important issues such as design standards and sustainability.



Big Foot Systems has been recognised for excellence with ISO 9001.
Big Foot Systems has been recognised for excellence with ISO 14001.
Copies of accreditations are available on request.



Big Foot Systems is pleased to be eco-friendly where possible.
Look out for our green foot symbol!

DISCLAIMER: Big Foot Systems takes no responsibility for the condition of the roof on which our equipment is to be used. You must ensure that the substrate on which the Big Foot Systems is intended for use is structurally sound enough to take the weight and point loadings we have indicated.

All Big Foot Systems products must be installed in line with the guarantees and recommendations of the manufacturer of the roofing system. The manufacturer of PVC membranes should advise on the susceptibility to migration of plasticizers and specific recommendations should be adhered to so that the roof guarantee is not affected.

Big Foot Systems Ltd., Unit 16, Apex Park, Hailsham, East Sussex BN27 3JU
www.bigfootsupport.com +44 (0)1323 844 355